



SUBMERSIBLE PUMP DATASHEET

					DOC. NO.							
					DATE issued							
					SPEC. OF PUMP		<input checked="" type="checkbox"/> FOR MFG. <input type="checkbox"/> ESTIMATED					
CUSTOMER					APP'D BY		CHK'D BY		MADE BY			
PROJECT NAME					0 ORIGINAL							
ITEM NO.			LOCATIONS		1							
PUMP MODEL			QUANTITY		1							
PUMP TYPE					DRIVER		MOTOR					
SUPPLIER							MFG.		DOOCH		SETS	
OPERATING CONDITIONS					PERFORMANCE							
LIQUID			SEWAGE/WATER		SPEED		3550	rpm	EFF.	35.5	%	
CAPACITY			100	LPM	6	m ³ /Hr	NPSHre		m	SFT. POWER	0.27	kW
TOTAL HEAD			5.9	m	19.4	ft	MATERIALS					
PRESS.			SUC.		kgf/cm ²	PsiG	PART			KS CODE		
			DIS.		kgf/cm ²	PsiG	CASING			PP+GF		
			DIF.		kgf/cm ²	PsiG	IMPELLER			PP+GF		
			VAPOR.		kgf/cm ²	PsiG	SHAFT			STS201		
LIQUID TEMP.			NORMAL	°C	MAX	°C	BOLT & NUT			STS304		
NPSH Avail.			m	ft								
VISCOSITY			cP	S.GRAVITY		1	ELECTRIC MOTOR					
SOLID			SIZE	mm	CORR/EROSMAX		MFG.	DOOCH		ENCLOSURE	T.E	
			CONTENT		%	CAUSED BY		R.OUTPUT	0.3	kW	POLE	2
CONSTRUCTIONS					SYNC.SPEED		3550	rpm	CYCLE	60	Hz	
CASING			MOUNT	SUBMERSIBLE	SPLIT		PHASE		1	Φ	INS.CLASS	B,IP68
CONNECT			BORE DIA.	RATING		POSITION	FACING	VOLTAGE		220	V	TEMP.RISE
DISCHARGE			25/32	mm	TOP	ACCESSORIES						
NO. OF STAGE			1	CABTYRE CABLE			4	m				
INSTALLATION			<input checked="" type="checkbox"/> INDOOR	<input type="checkbox"/> OUTDOOR	<input type="checkbox"/> SUBMERSIBLE	LIFTING CHAIN & SHACLE			N/A	m		
BASE PLATE			<input type="checkbox"/> COMMON	<input type="checkbox"/> SOLE	<input type="checkbox"/> N/A	DISCHARGE ELBOW			<input checked="" type="checkbox"/> YES	<input type="checkbox"/> NO		
IMPELLER			<input type="checkbox"/> CLOSE	<input type="checkbox"/> OPEN	<input type="checkbox"/> SEMI-OPEN	QUICK DIS.CONNECTOR			<input type="checkbox"/> YES	<input checked="" type="checkbox"/> NO		
LUBRICANT			<input type="checkbox"/> GREASE	<input checked="" type="checkbox"/> OIL	<input type="checkbox"/> WATER(SELF)	GUIDE PIPE			<input type="checkbox"/> YES	<input checked="" type="checkbox"/> NO		
COUPLING			<input type="checkbox"/> FLEXIBLE	<input checked="" type="checkbox"/> RIGID	<input type="checkbox"/> MUFF	LEVEL SWITCH			<input type="checkbox"/> YES	<input checked="" type="checkbox"/> NO		
TRANS.			<input checked="" type="checkbox"/> DIRECT	<input type="checkbox"/> V-BELT	COUNTER FLANGE						<input type="checkbox"/> YES	<input checked="" type="checkbox"/> NO
ROTATION VIEWED FROM DRIVER				<input type="checkbox"/> C.W (ClockWise)		WEIGHT (APPROX.)						
				<input type="checkbox"/> C.C.W (Counter ClockWise)		PUMP				kg		
BEARING			DRIVEN		END		OPTIONS				kg	
							TOTAL WEIGHT				kg	
SHAFT SEAL			TYPE	DOUBLE MECHANICAL SEAL		SPARE PARTS						
			MATERIAL			PARTS NAME		Q.TY	PARTS NAME	Q.TY		
PAINTING			COLOR	WINE COLOR				Set(s)		Set(s)		
			MATERIAL	TAR EPOXY				Set(s)		Set(s)		
REMARKS												
<p>1. Except Details specified on this DATASHEET, all subject including test shall be performed in accordance with DOOCH's standard</p>												

PROJECT : 선정프로그램 SAMPLE 자료

MODEL : NDS-03B-M

PUMP

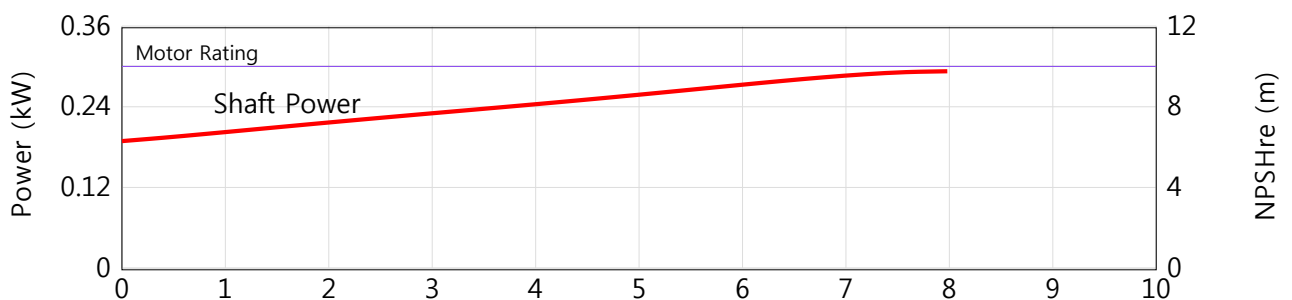
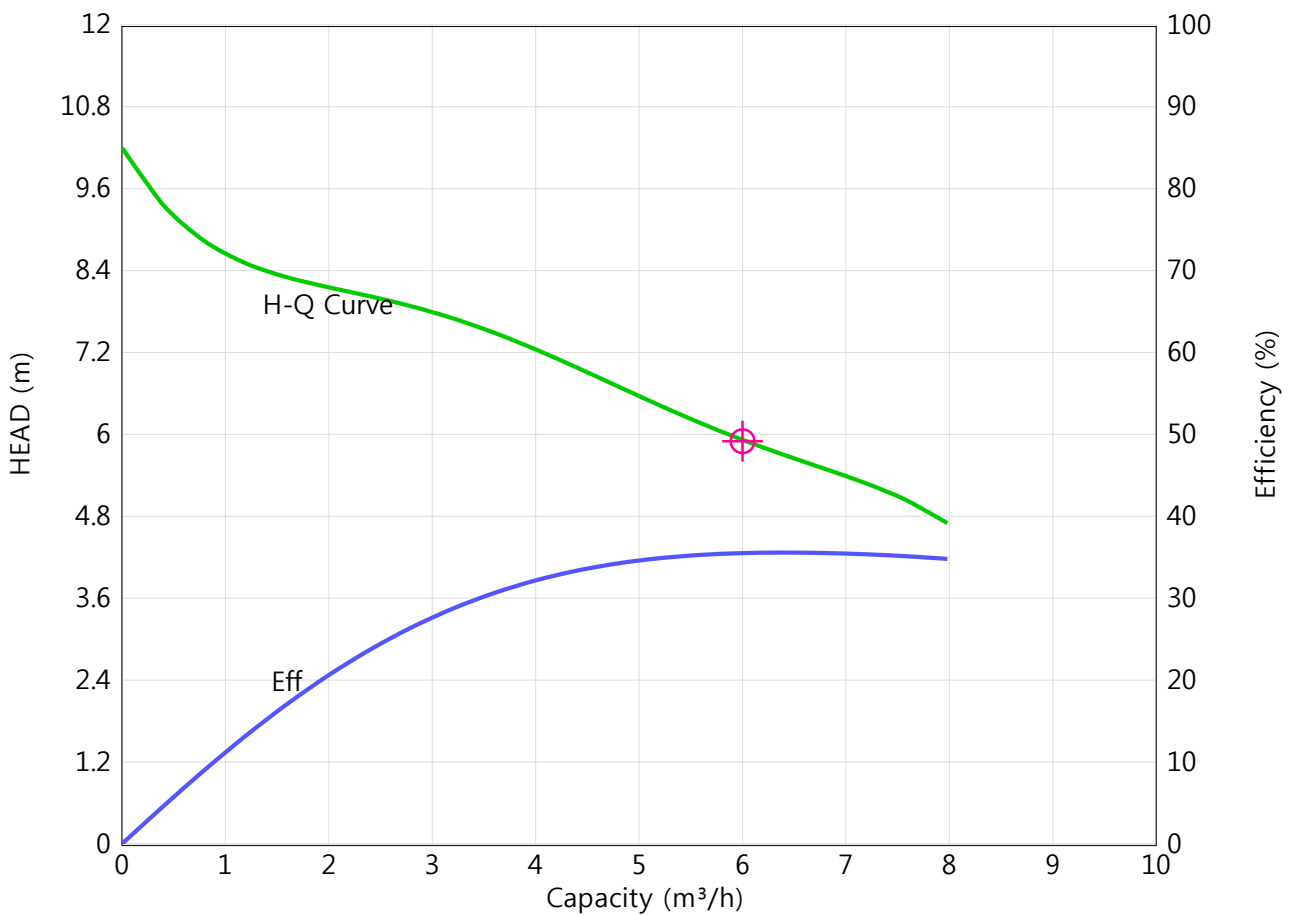
CAPACITY	6 m ³ /h
TOTAL HEAD	5.9 m
SUCTION	mm
DISCHARGE	25/32 mm
LIQUID	WATER
MAKER	DOOCH

MOTOR

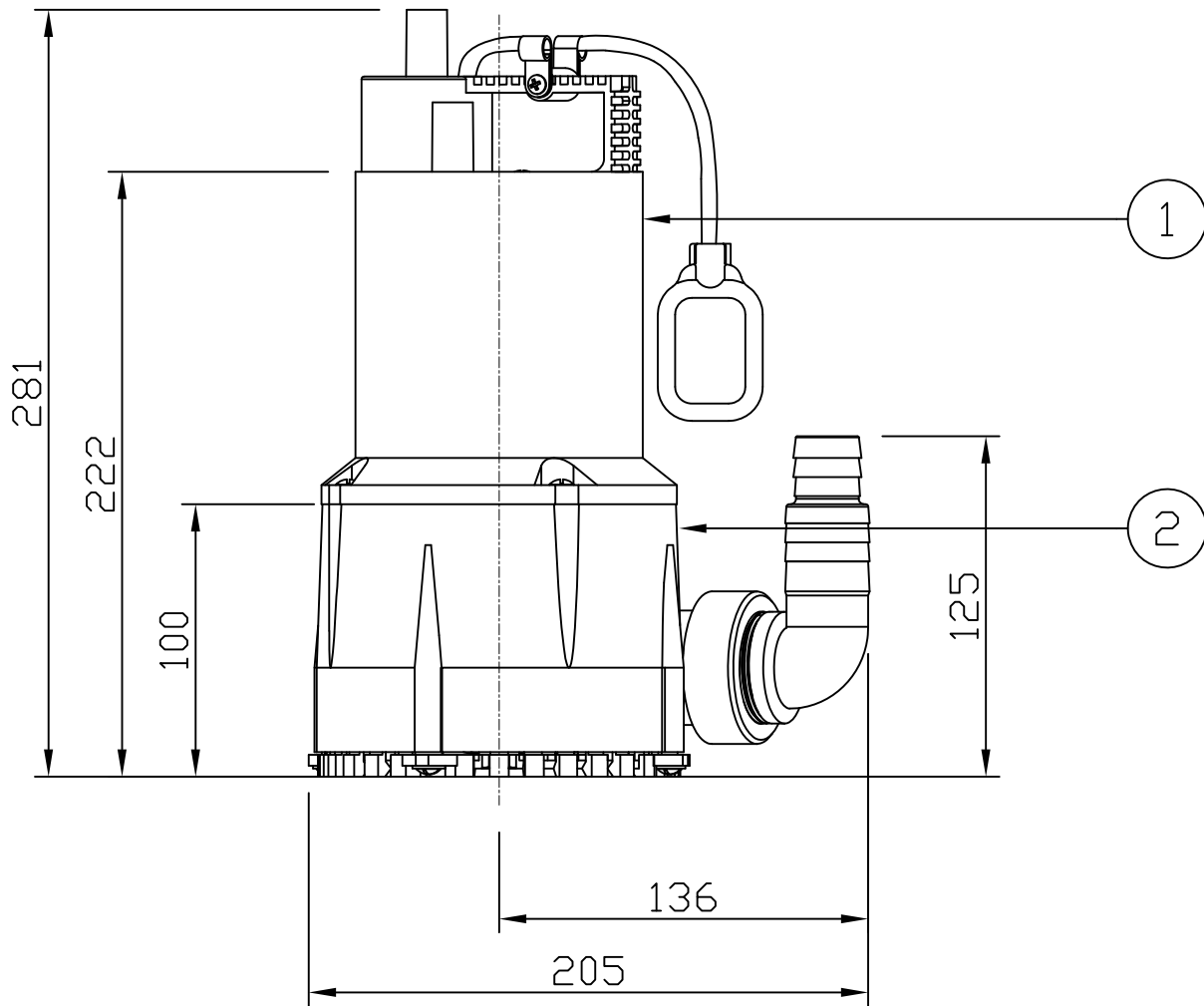
OUTPUT	0.3 kW
VOLTAGE	220 V
FREQUENCY	60 Hz
SPEED	3550 rpm
TYPE	TEFC
MAKER	DOOCH

EFFICIENCY

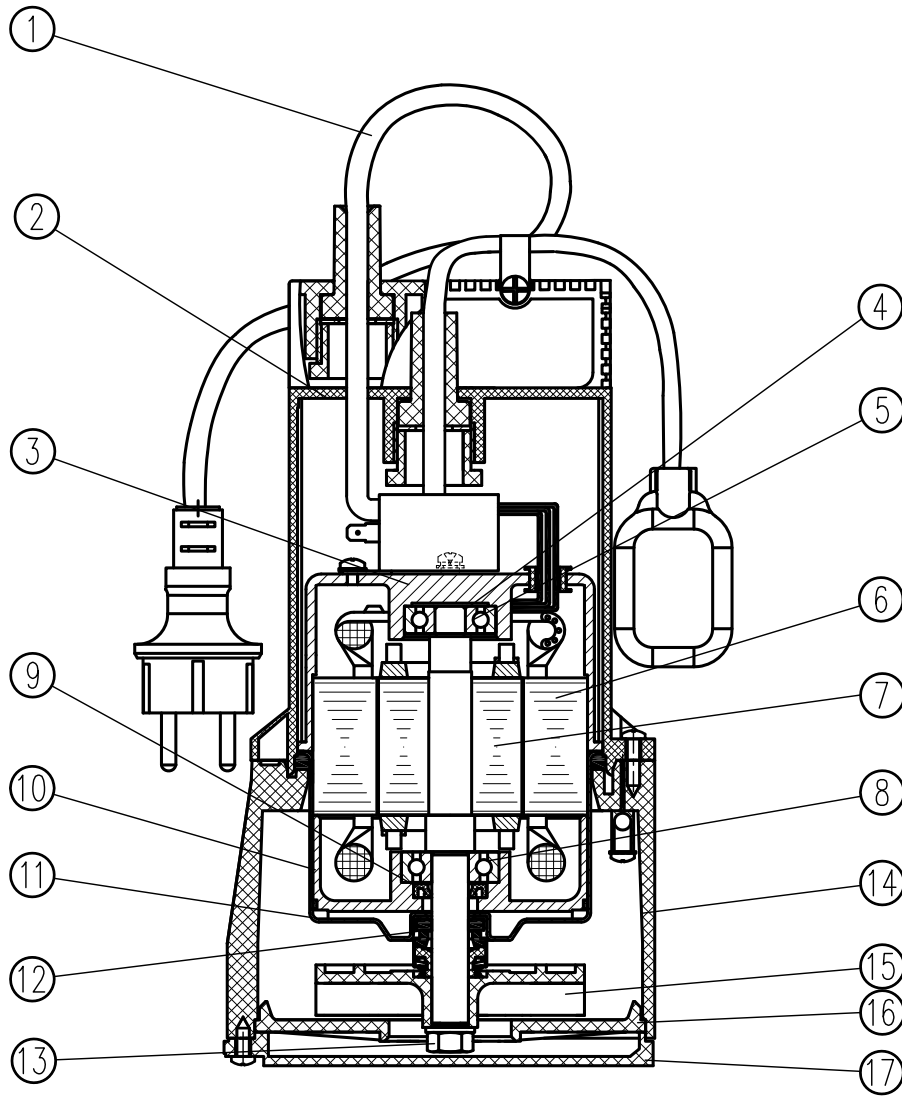
	EFF. (%)	CAPA. m ³ /h
A 효율	35.6	6.4
B 효율	35.5	6



- ▶ Performance curve of some models is subject to have 10% deviation.
- ▶ Subject to change without prior notice.



NO.	PART NAME	Q'ty	SPECIFICATION
1	MOTOR	1	0.3kW (0.4HP)
2	PUMP	1	NDS 03B-M(A)
SCALE		UNIT	MOTOR FRAME
1:1		mm	
DRAWN	DESIGNED	CHECKED	APPROVED
Huh.T.J	Kim.J.S	Kim.J.S	Hur.M
REMARKS			
M: 입력전원 단상 A: 자동스위치 적용			
MODEL			
NDS 03B-M(A)			
DWG. NO.			
OD-NDS-0.3			
DISCRIPTION			
SUBMERSIBLE PUMP			
DOOCH CO., LTD.			



NO.	PART NAME	Q'ty	MATERIAL	REMARKS
1	CABLE ASS'Y	4m	IEC57	
2	FRAME	1	PP+GF	
3	UPPER COVER	1	ALSI12	
4	FLOAT SWITCH	1	-	
5	UPPER BEARING	1	-	
6	STATOR ASS'Y	1	-	
7	ROTOR ASS'Y	1	-	
8	LOWER BEARING	1	-	
9	OIL SEAL	1	-	
10	LOWER BEARING COVER	1	ALSI12	
11	LOWER COVER	1	STS304	
12	MECHANICAL SEAL	1	CERAMIC+CARBON	
13	NUT	1	STS304	
14	CASING	1	PP+GF	
15	IMPELLER	1	PP+GF	
16	PUMP COVER	1	PP+GF	
17	STRAINER	1	PP+GF	
18				
19				
20				

SCALE	UNIT	MOTOR FRAME	
1:1	mm		
DRAWN	DESIGNED	CHECKED	APPROVED
Huh.T.J	Huh.T.J	Kim.J.S	Hur.M

CUSTOMER

MODEL

NDS 03B-M(A)

DWG. NO.

ST-NDS-0.3

DISCRIPTION

SUBMERSIBLE PUMP

dooch DOOCH CO., LTD.



SUBMERSIBLE PUMP DATASHEET

					DOC. NO.									
					DATE issued									
					SPEC. OF PUMP		<input checked="" type="checkbox"/> FOR MFG. <input type="checkbox"/> ESTIMATED							
CUSTOMER					APP'D BY		CHK'D BY		MADE BY					
PROJECT NAME					0 ORIGINAL									
ITEM NO.					1									
PUMP MODEL					2									
PUMP TYPE					DRIVER		MOTOR							
SUPPLIER					MFG.		DOOCH		QUANTITY		SETS			
OPERATING CONDITIONS					PERFORMANCE									
LIQUID					SEWAGE/WATER		SPEED		3550	rpm	EFF.	35.5	%	
CAPACITY					100	LPM	6	m ³ /Hr	NPSHre		m	SFT. POWER	0.27	kW
TOTAL HEAD					5.9	m	19.4	ft	MATERIALS					
PRESS.	SUC.				kgf/cm ²		PsiG	PART		KS CODE				
	DIS.				kgf/cm ²		PsiG	CASING		PP+GF				
	DIF.				kgf/cm ²		PsiG	IMPELLER		PP+GF				
	VAPOR.				kgf/cm ²		PsiG	SHAFT		STS201				
LIQUID TEMP.					NORMAL	°C	MAX	°C	BOLT & NUT		STS304			
NPSH Avail.						m		ft						
VISCOSITY						cP	S.GRAVITY	1	ELECTRIC MOTOR					
SOLID					SIZE	mm	CORR/EROSMAX		MFG.	DOOCH		ENCLOSURE	T.E	
					CONTENT	%	CAUSED BY		R.OUTPUT	0.3	kW	POLE	2	P
CONSTRUCTIONS					SYNC.SPEED		3550	rpm	CYCLE	60	Hz			
CASING					MOUNT	SUBMERSIBLE	SPLIT		PHASE	1	Φ	INS.CLASS	B,IP68	
CONNECT					BORE DIA.	RATING	POSITION	FACING	VOLTAGE	220	V	TEMP.RISE		
DISCHARGE					25/32	mm	TOP		ACCESSORIES					
NO. OF STAGE					1		CABTYRE CABLE		4	m				
INSTALLATION					<input checked="" type="checkbox"/> INDOOR <input type="checkbox"/> OUTDOOR <input type="checkbox"/> SUBMERSIBLE		LIFTING CHAIN & SHACLE		N/A	m				
BASE PLATE					<input type="checkbox"/> COMMON <input type="checkbox"/> SOLE <input type="checkbox"/> N/A		DISCHARGE ELBOW		<input checked="" type="checkbox"/> YES <input type="checkbox"/> NO					
IMPELLER					<input type="checkbox"/> CLOSE <input type="checkbox"/> OPEN <input type="checkbox"/> SEMI-OPEN		QUICK DIS.CONNECTOR		<input type="checkbox"/> YES <input checked="" type="checkbox"/> NO					
LUBRICANT					<input type="checkbox"/> GREASE <input checked="" type="checkbox"/> OIL <input type="checkbox"/> WATER(SELF)		GUIDE PIPE		<input type="checkbox"/> YES <input checked="" type="checkbox"/> NO					
COUPLING					<input type="checkbox"/> FLEXIBLE <input checked="" type="checkbox"/> RIGID <input type="checkbox"/> MUFF		LEVEL SWITCH		<input checked="" type="checkbox"/> YES <input type="checkbox"/> NO					
TRANS.					<input checked="" type="checkbox"/> DIRECT <input type="checkbox"/> V-BELT		COUNTER FLANGE		<input type="checkbox"/> YES <input checked="" type="checkbox"/> NO					
ROTATION VIEWED FROM DRIVER					<input type="checkbox"/> C.W (ClockWise) <input type="checkbox"/> C.C.W (Counter ClockWise)		WEIGHT (APPROX.)							
BEARING					DRIVEN		END		PUMP		kg			
									OPTIONS		kg			
									TOTAL WEIGHT		kg			
SHAFT SEAL					TYPE		DOUBLE MECHANICAL SEAL		SPARE PARTS					
					MATERIAL				PARTS NAME		Q.TY	PARTS NAME	Q.TY	
PAINTING					COLOR		WINE COLOR				Set(s)			Set(s)
					MATERIAL		TAR EPOXY				Set(s)			Set(s)
REMARKS														
1. Except Details specified on this DATASHEET, all subject including test shall be performed in accordance with DOOCH's standard														

PROJECT : 선정프로그램 SAMPLE 자료

MODEL : NDS-03B-MA

PUMP

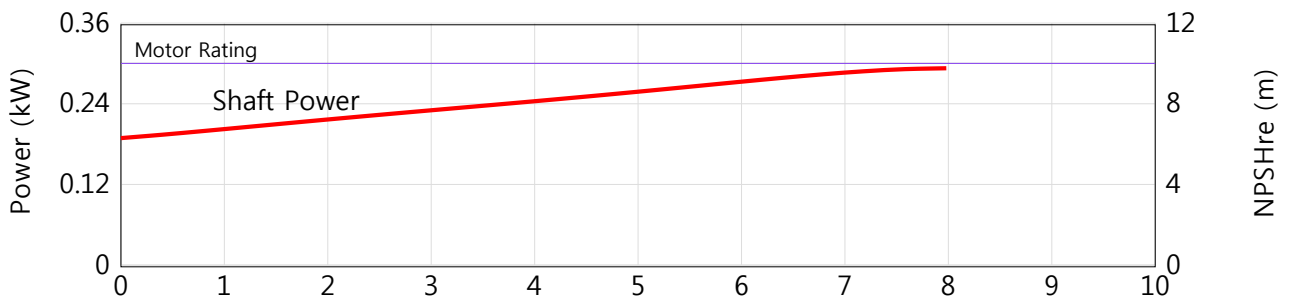
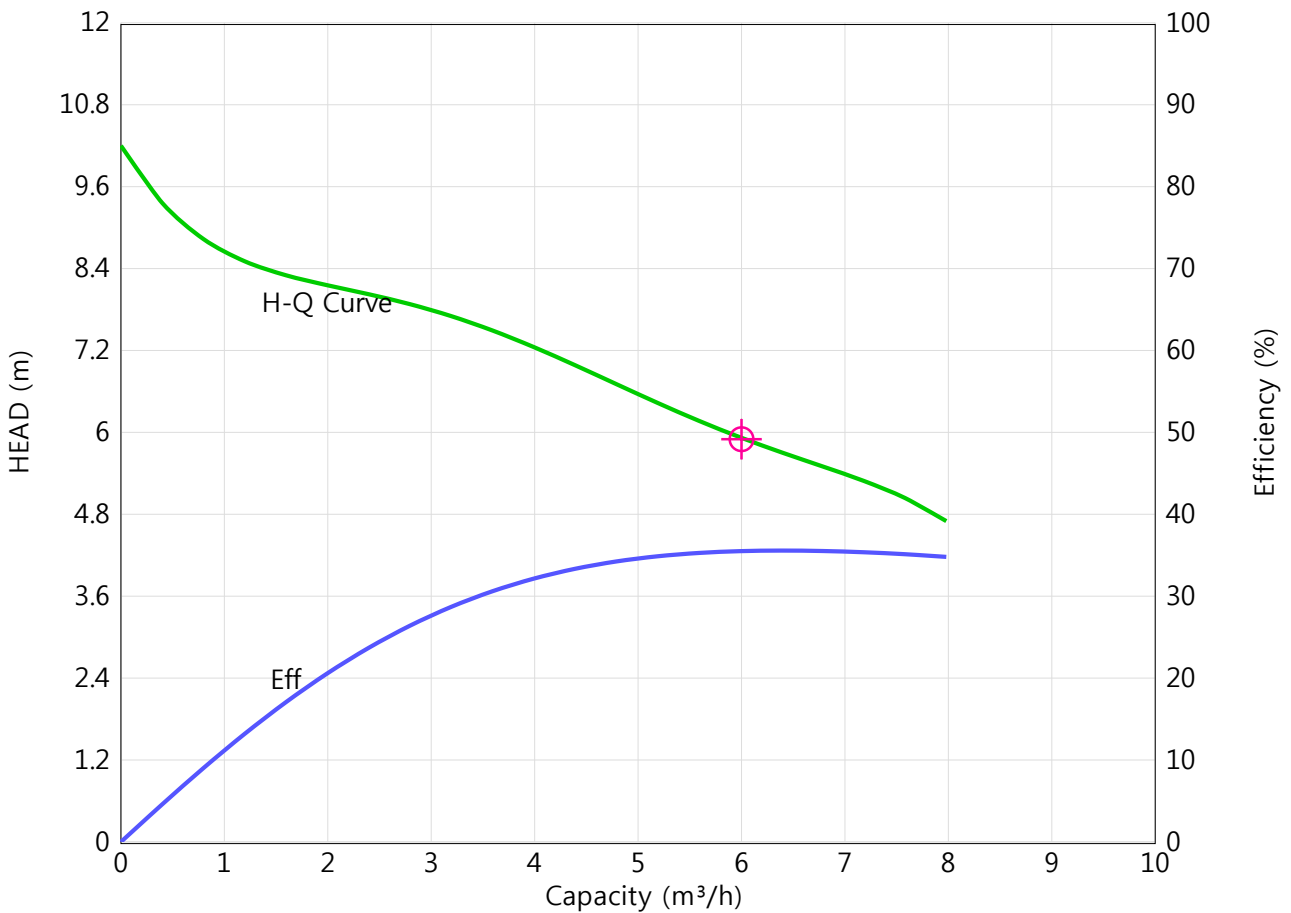
CAPACITY	6 m ³ /h
TOTAL HEAD	5.9 m
SUCTION	mm
DISCHARGE	25/32 mm
LIQUID	WATER
MAKER	DOOCH

MOTOR

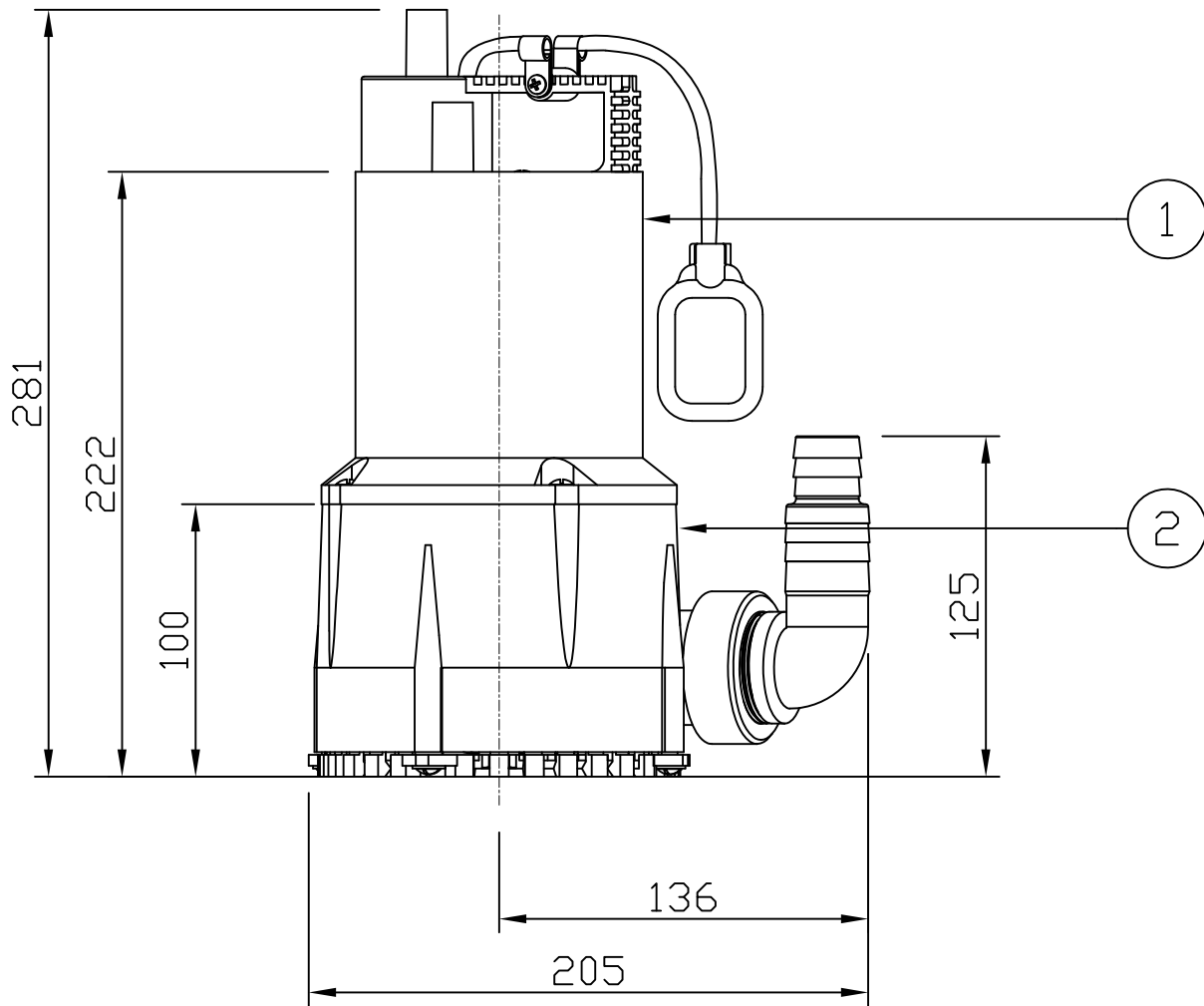
OUTPUT	0.3 kW
VOLTAGE	220 V
FREQUENCY	60 Hz
SPEED	3550 rpm
TYPE	TEFC
MAKER	DOOCH

EFFICIENCY

	EFF. (%)	CAPA. m ³ /h
A 효율	35.6	6.4
B 효율	35.5	6



- ▶ Performance curve of some models is subject to have 10% deviation.
- ▶ Subject to change without prior notice.



NO.	PART NAME	Q'ty	SPECIFICATION
1	MOTOR	1	0.3kW (0.4HP)
2	PUMP	1	NDS 03B-M(A)
SCALE		UNIT	MOTOR FRAME
1:1		mm	
DRAWN	DESIGNED	CHECKED	APPROVED
Huh.T.J	Kim.J.S	Kim.J.S	Hur.M

REMARKS

M: 입력전원 단상
A: 자동스위치 적용

MODEL

NDS 03B-M(A)

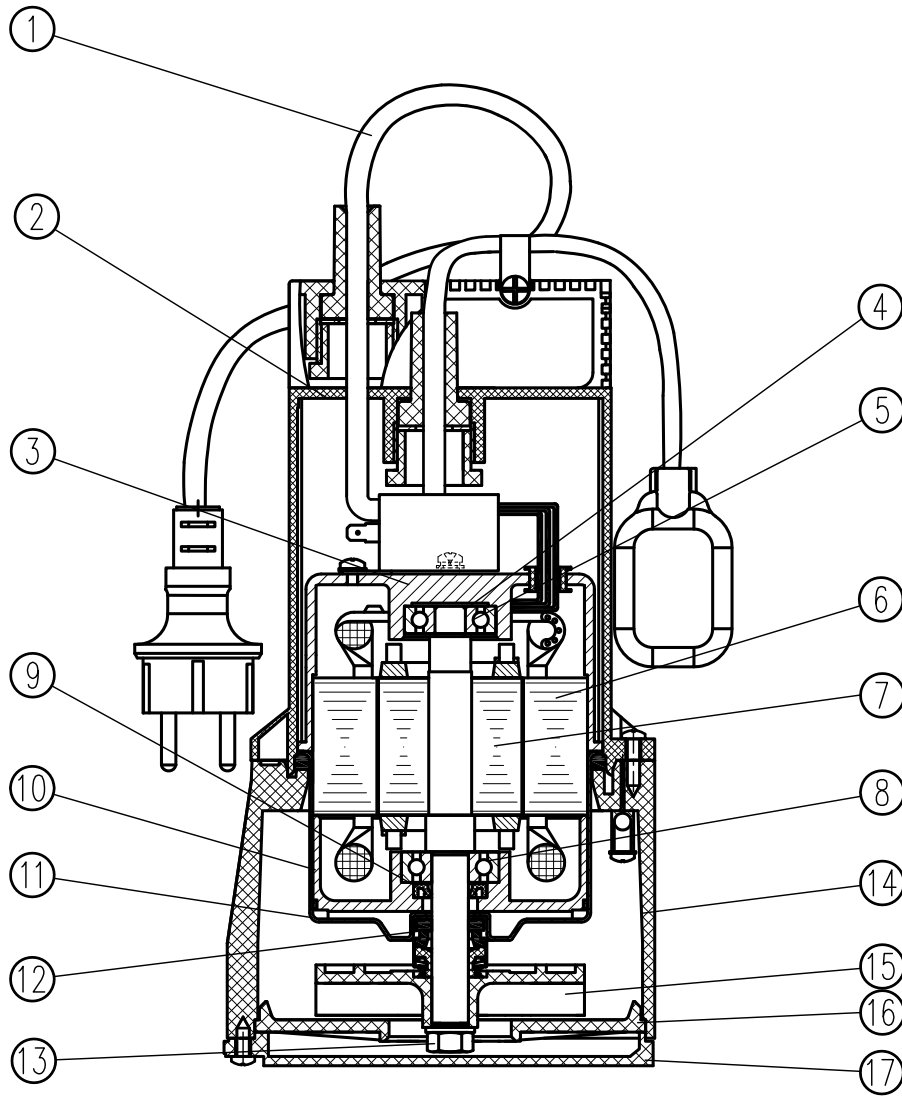
DWG. NO.

OD-NDS-0.3

DISCRIPTION

SUBMERSIBLE PUMP

dooch DOOCH CO., LTD.



NO.	PART NAME	Q'ty	MATERIAL	REMARKS
1	CABLE ASS'Y	4m	IEC57	
2	FRAME	1	PP+GF	
3	UPPER COVER	1	ALSI12	
4	FLOAT SWITCH	1	-	
5	UPPER BEARING	1	-	
6	STATOR ASS'Y	1	-	
7	ROTOR ASS'Y	1	-	
8	LOWER BEARING	1	-	
9	OIL SEAL	1	-	
10	LOWER BEARING COVER	1	ALSI12	
11	LOWER COVER	1	STS304	
12	MECHANICAL SEAL	1	CERAMIC+CARBON	
13	NUT	1	STS304	
14	CASING	1	PP+GF	
15	IMPELLER	1	PP+GF	
16	PUMP COVER	1	PP+GF	
17	STRAINER	1	PP+GF	
18				
19				
20				

SCALE	UNIT	MOTOR FRAME	
1:1	mm		
DRAWN	DESIGNED	CHECKED	APPROVED
Huh.T.J	Huh.T.J	Kim.J.S	Hur.M

CUSTOMER

MODEL

NDS 03B-M(A)

DWG. NO.

ST-NDS-0.3

DISCRIPTION

SUBMERSIBLE PUMP

dooch DOOCH CO., LTD.



SUBMERSIBLE PUMP DATASHEET

					DOC. NO.																	
					DATE issued																	
					SPEC. OF PUMP		<input checked="" type="checkbox"/> FOR MFG. <input type="checkbox"/> ESTIMATED															
CUSTOMER					APP'D BY		CHK'D BY		MADE BY													
PROJECT NAME					0		ORIGINAL															
ITEM NO.					1		LOCATIONS															
PUMP MODEL					2		QUANTITY		1													
PUMP TYPE					SUBMERSIBLE		DRIVER		MOTOR													
SUPPLIER					MFG.		DOOCH		QUANTITY		SETS											
OPERATING CONDITIONS					PERFORMANCE																	
LIQUID					SEWAGE/WATER		SPEED		rpm		EFF.		41.7		%							
CAPACITY					200		LPM		12		m ³ /Hr		NPSHre		m		SFT. POWER		0.38		kW	
TOTAL HEAD					5.8		m		19		ft		MATERIALS									
PRESS.					SUC.		kgf/cm ²		PsiG		PART			KS CODE								
					DIS.		kgf/cm ²		PsiG		CASING			GC200								
					DIF.		kgf/cm ²		PsiG		IMPELLER			GC200								
					VAPOR.		kgf/cm ²		PsiG		SHAFT			STS304								
LIQUID TEMP.					NORMAL		°C		MAX		°C		BOLT & NUT			STS304						
NPSH Avail.							m				ft											
VISCOSITY							cP		S.GRAVITY		1		ELECTRIC MOTOR									
SOLID					SIZE		mm		CORR/EROSMAX		MFG.		dooch		ENCLOSURE		T.E.					
					CONTENT		%		CAUSED BY				R.OUTPUT		0.4		kW		POLE		2	
CONSTRUCTIONS					SYNC.SPEED		3600		rpm		CYCLE		60		Hz							
CASING					MOUNT		SUBMERSIBLE		SPLIT		PHASE		1		Φ		INS.CLASS		B, IP68			
CONNECT					BORE DIA.		RATING		POSITION		FACING		VOLTAGE		220		V		TEMP.RISE			
DISCHARGE					50		mm						ACCESSORIES									
NO. OF STAGE					1						CABTYRE CABLE				m							
INSTALLATION					<input checked="" type="checkbox"/> INDOOR <input type="checkbox"/> OUTDOOR <input type="checkbox"/> SUBMERSIBLE						LIFTING CHAIN & SHACLE		N/A		m							
BASE PLATE					<input type="checkbox"/> COMMON <input type="checkbox"/> SOLE <input type="checkbox"/> N/A						DISCHARGE ELBOW		<input type="checkbox"/> YES <input checked="" type="checkbox"/> NO									
IMPELLER					<input type="checkbox"/> CLOSE <input type="checkbox"/> OPEN <input type="checkbox"/> SEMI-OPEN						QUICK DIS.CONNECTOR		<input type="checkbox"/> YES <input checked="" type="checkbox"/> NO									
LUBRICANT					<input type="checkbox"/> GREASE <input checked="" type="checkbox"/> OIL <input type="checkbox"/> WATER(SELF)						GUIDE PIPE		<input type="checkbox"/> YES <input checked="" type="checkbox"/> NO									
COUPLING					<input type="checkbox"/> FLEXIBLE <input checked="" type="checkbox"/> RIGID <input type="checkbox"/> MUFF						LEVEL SWITCH		<input type="checkbox"/> YES <input checked="" type="checkbox"/> NO									
TRANS.					<input checked="" type="checkbox"/> DIRECT <input type="checkbox"/> V-BELT						COUNTER FLANGE		<input type="checkbox"/> YES <input checked="" type="checkbox"/> NO									
ROTATION VIEWED FROM DRIVER					<input checked="" type="checkbox"/> C.W (ClockWise)								WEIGHT (APPROX.)									
					<input type="checkbox"/> C.C.W (Counter ClockWise)						PUMP				kg							
BEARING					DRIVEN		END		OPTIONS				kg									
									TOTAL WEIGHT				kg									
SHAFT SEAL					TYPE		DOUBLE MECHANICAL SEAL		SPARE PARTS													
					MATERIAL				PARTS NAME		Q.TY		PARTS NAME		Q.TY							
PAINTING					COLOR		No.1 (BLACK)				Set(s)				Set(s)							
					MATERIAL		TAR EPOXY						Set(s)				Set(s)					
REMARKS																						
1. Except Details specified on this DATASHEET, all subject including test shall be performed in accordance with DOOCH's standard																						

PROJECT : 선정프로그램 SAMPLE 자료

MODEL : NDS-04V-M

PUMP

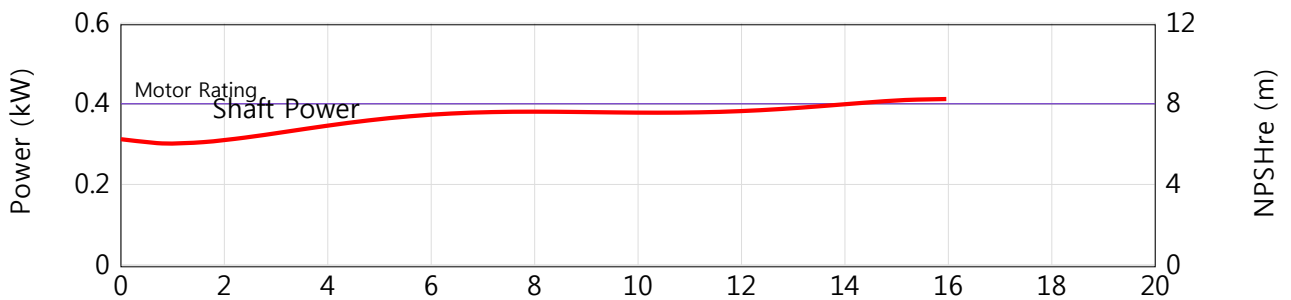
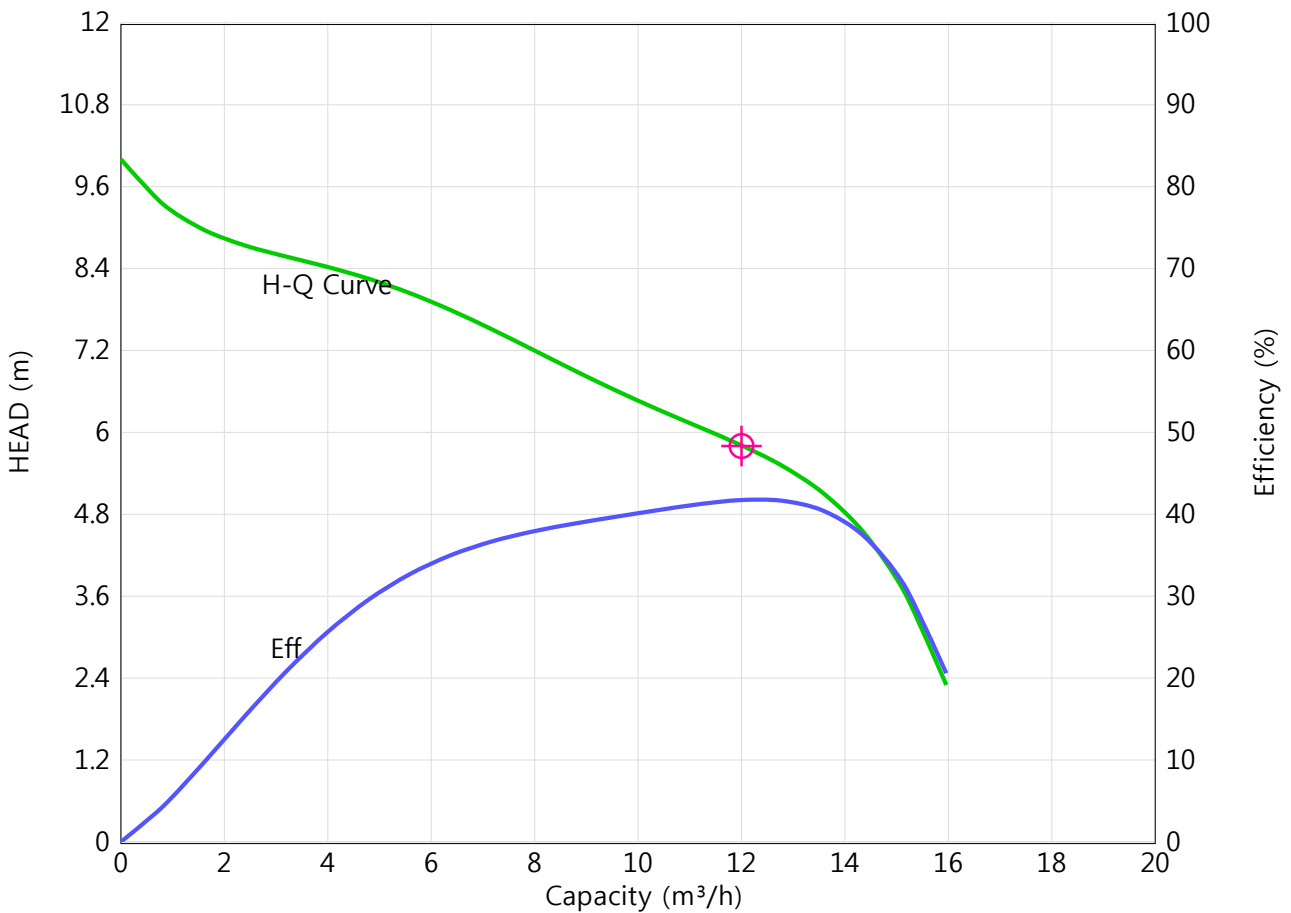
CAPACITY	12	m ³ /h
TOTAL HEAD	5.8	m
SUCTION		mm
DISCHARGE	50	mm
LIQUID	WATER	
MAKER	DOOCH	

MOTOR

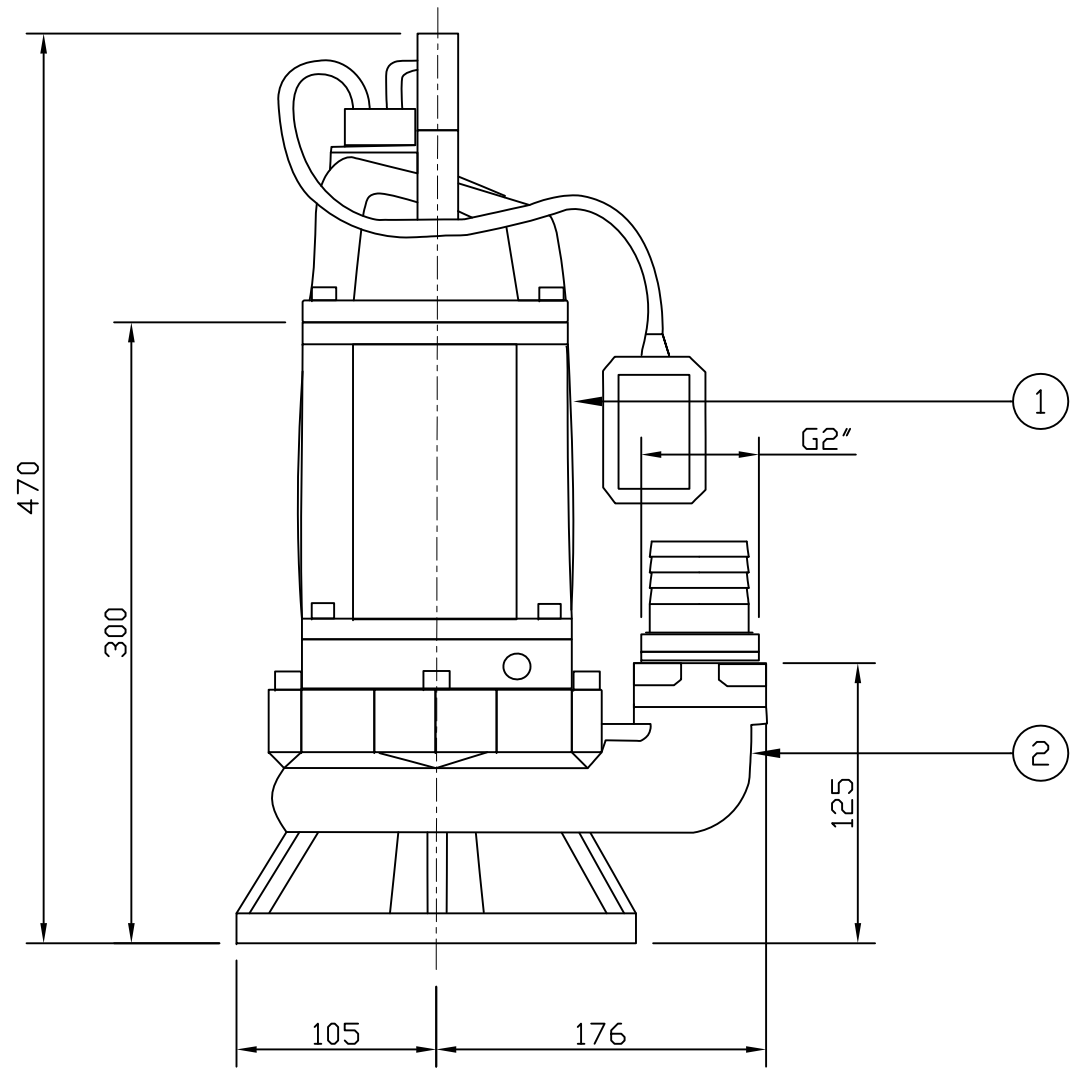
OUTPUT	0.4	kW
VOLTAGE	220	V
FREQUENCY	60	Hz
SPEED	3600	rpm
TYPE	TEFC	
MAKER	dooch	

EFFICIENCY

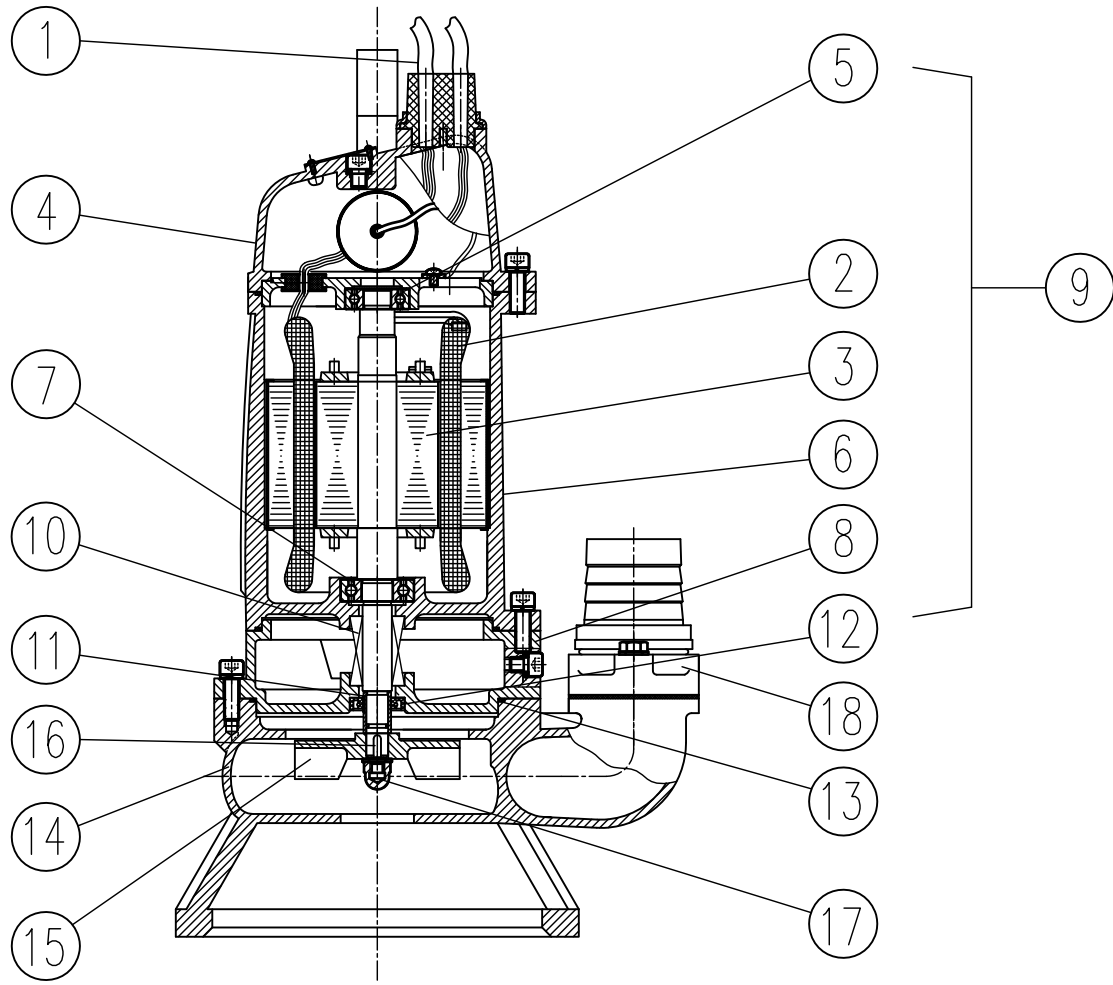
	EFF. (%)	CAPA. m ³ /h
A 효율	41.8	12.3
B 효율	41.7	12



- ▶ Performance curve of some models is subject to have 10% deviation.
- ▶ Subject to change without prior notice.



NO.	PARTSNAME	Q'ty	SPECIFICATION
1	MOTOR	1	0.4kW (0.5HP)
2	PUMP	1	NDS 04V-MA
SCALE	UNIT	MOTOR FRAME	
1:1	mm		
DRAWN	DESIGNED	CHECKED	APPROVED
Huh.T.J	Kim.J.S	Kim.J.S	Hur.M
REMARKS			
<ul style="list-style-type: none"> - 비자동식 모델은 모델명에서 "A"가 삭제됩니다. - 삼상 380V인 경우 모델명에서 "M"이 삭제됩니다. 			
MODEL			
NDS SERIES(NDS 04V-MA)			
DWG. NO.			
OD-NDS-0.4kW			
DISCRIPTION			
SUBMERSIBLE PUMP SYSTEM			
DOOCH CO., LTD.			



ND.	PART NAME	Q'ty	MATERIAL	REMARKS
1	CABLE ASS'Y	8m	IEC57	
2	STATOR ASS'Y	1	-	
3	ROTOR ASS'Y	1	-	
4	HEAD COVER	1	GC200	
5	UPPER BEARING	1	-	
6	FRAME	1	GC200	
7	LOWER BEARING	1	-	
8	END BRACKET	1	GC200	
9	MOTOR ASS'Y	1	-	
10	M/C SEAL	1	SIC	
11	SLEEVE	1	STS304	
12	OIL SEAL	1	NBR	
13	O-RING	1	NBR	
14	CASING	1	GC200	
15	IMPELLER	1	GC200	
16	KEY	1	STS201	
17	NUT	1	STS201	
18	FLANGE	1	GC200	

REMARK

SCALE	UNIT	MOTOR FRAME	
1:1	mm		
DRAWN	DESIGNED	CHECKED	APPROVED
Huh.T.J	Huh.T.J	Kim.J.S	Hur.M

CUSTOMER

MODEL

NDS V SERIES

DWG. NO.

ST-NDS

DISCRIPTION

SUBMERSIBLE PUMP





SUBMERSIBLE PUMP DATASHEET

					DOC. NO.									
					DATE issued									
					SPEC. OF PUMP		<input checked="" type="checkbox"/> FOR MFG. <input type="checkbox"/> ESTIMATED							
CUSTOMER					APP'D BY		CHK'D BY		MADE BY					
PROJECT NAME					0 ORIGINAL									
ITEM NO.					1									
PUMP MODEL					2									
PUMP TYPE					DRIVER		MOTOR							
SUPPLIER					MFG.		DOOCH		QUANTITY		SETS			
OPERATING CONDITIONS					PERFORMANCE									
LIQUID					SEWAGE/WATER		SPEED		rpm		EFF.	57.4	%	
CAPACITY					200	LPM	12	m ³ /Hr	NPSHre	m	SFT. POWER	0.41	kW	
TOTAL HEAD					7.5	m	24.6	ft	MATERIALS					
PRESS.	SUC.		kgf/cm ²		PsiG		PART			KS CODE				
	DIS.		kgf/cm ²		PsiG		CASING			GC200				
	DIF.		kgf/cm ²		PsiG		IMPELLER			GC200				
	VAPOR.		kgf/cm ²		PsiG		SHAFT			STS304				
LIQUID TEMP.					NORMAL	°C	MAX	°C	BOLT & NUT		STS304			
NPSH Avail.					m	ft								
VISCOSITY					cP	S.GRAVITY		1		ELECTRIC MOTOR				
SOLID					SIZE	mm	CORR/EROSMAX		MFG.	dooch		ENCLOSURE	T.E.	
					CONTENT	%	CAUSED BY		R.OUTPUT	0.4	kW	POLE	2	P
CONSTRUCTIONS					SYNC.SPEED		3600	rpm	CYCLE	60	Hz			
CASING					MOUNT	SUBMERSIBLE		SPLIT	PHASE		1	Φ	INS.CLASS	B, IP68
CONNECT					BORE DIA.	RATING		POSITION	FACING		VOLTAGE	220	V	TEMP.RISE
DISCHARGE					50	mm		ACCESSORIES						
NO. OF STAGE					1		CABTYRE CABLE			m				
INSTALLATION					<input checked="" type="checkbox"/> INDOOR <input type="checkbox"/> OUTDOOR <input type="checkbox"/> SUBMERSIBLE		LIFTING CHAIN & SHACLE			N/A			m	
BASE PLATE					<input type="checkbox"/> COMMON <input type="checkbox"/> SOLE <input type="checkbox"/> N/A		DISCHARGE ELBOW			<input type="checkbox"/> YES <input checked="" type="checkbox"/> NO				
IMPELLER					<input type="checkbox"/> CLOSE <input type="checkbox"/> OPEN <input type="checkbox"/> SEMI-OPEN		QUICK DIS.CONNECTOR			<input type="checkbox"/> YES <input checked="" type="checkbox"/> NO				
LUBRICANT					<input type="checkbox"/> GREASE <input checked="" type="checkbox"/> OIL <input type="checkbox"/> WATER(SELF)		GUIDE PIPE			<input type="checkbox"/> YES <input checked="" type="checkbox"/> NO				
COUPLING					<input type="checkbox"/> FLEXIBLE <input checked="" type="checkbox"/> RIGID <input type="checkbox"/> MUFF		LEVEL SWITCH			<input type="checkbox"/> YES <input checked="" type="checkbox"/> NO				
TRANS.					<input checked="" type="checkbox"/> DIRECT <input type="checkbox"/> V-BELT		COUNTER FLANGE			<input type="checkbox"/> YES <input checked="" type="checkbox"/> NO				
ROTATION VIEWED FROM DRIVER					<input checked="" type="checkbox"/> C.W (ClockWise) <input type="checkbox"/> C.C.W (Counter ClockWise)		WEIGHT (APPROX.)							
BEARING					DRIVEN		END		PUMP		kg			
									OPTIONS		kg			
									TOTAL WEIGHT		kg			
SHAFT SEAL					TYPE		DOUBLE MECHANICAL SEAL		SPARE PARTS					
					MATERIAL				PARTS NAME		Q.TY	PARTS NAME		Q.TY
PAINTING					COLOR		No.1 (BLACK)				Set(s)			Set(s)
					MATERIAL		TAR EPOXY				Set(s)			Set(s)
REMARKS														
1. Except Details specified on this DATASHEET, all subject including test shall be performed in accordance with DOOCH's standard														

PROJECT : 선정프로그램 SAMPLE 자료

MODEL : NDS-04B-MA

PUMP

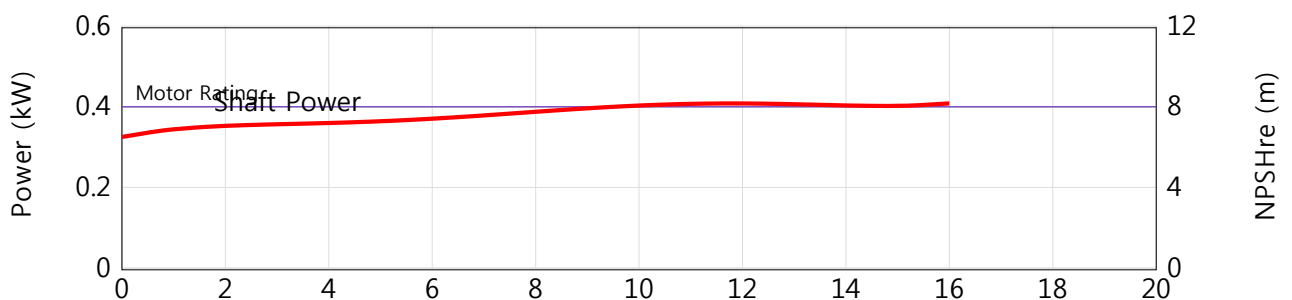
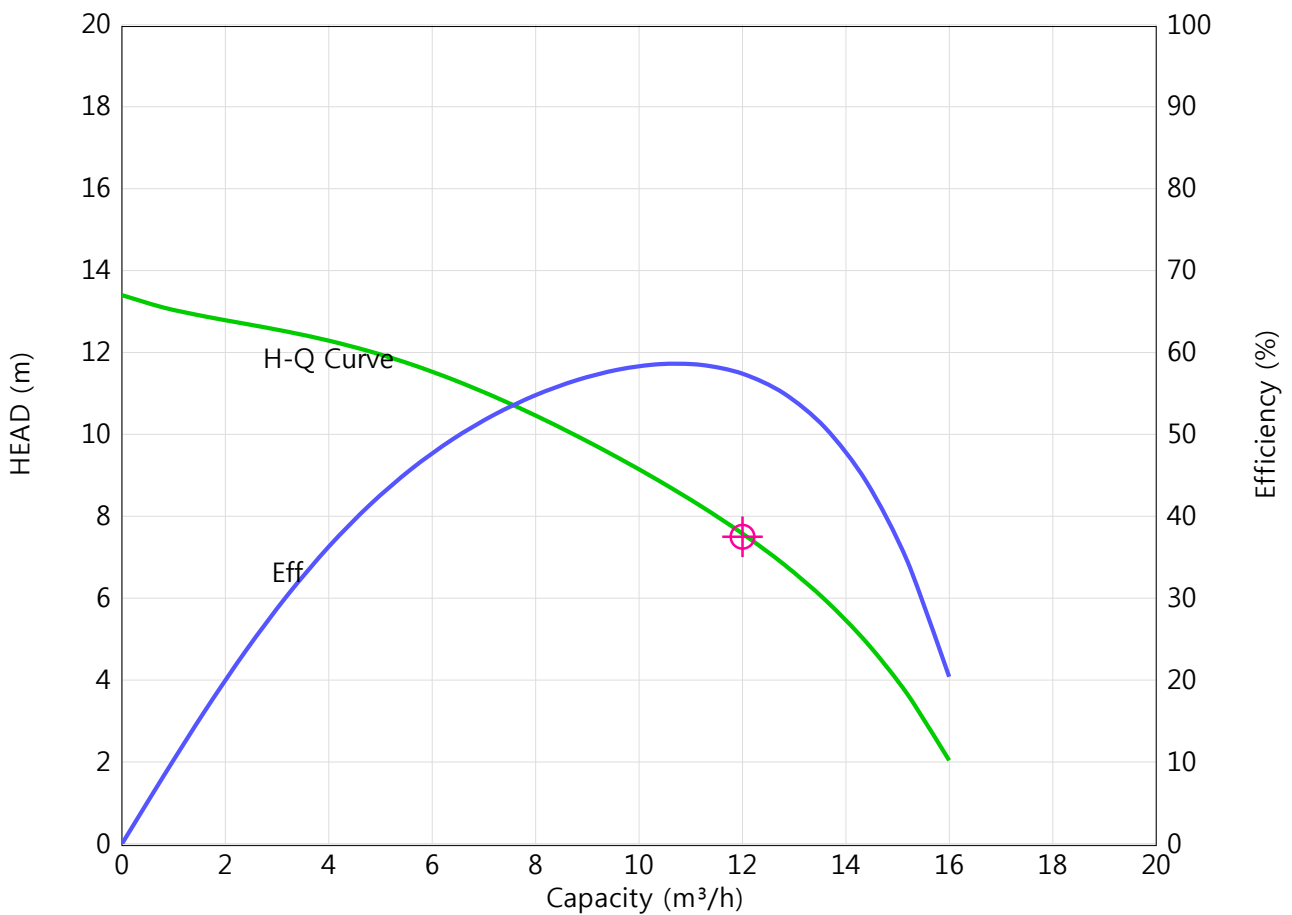
CAPACITY	12 m ³ /h
TOTAL HEAD	7.5 m
SUCTION	mm
DISCHARGE	50 mm
LIQUID	WATER
MAKER	DOOCH

MOTOR

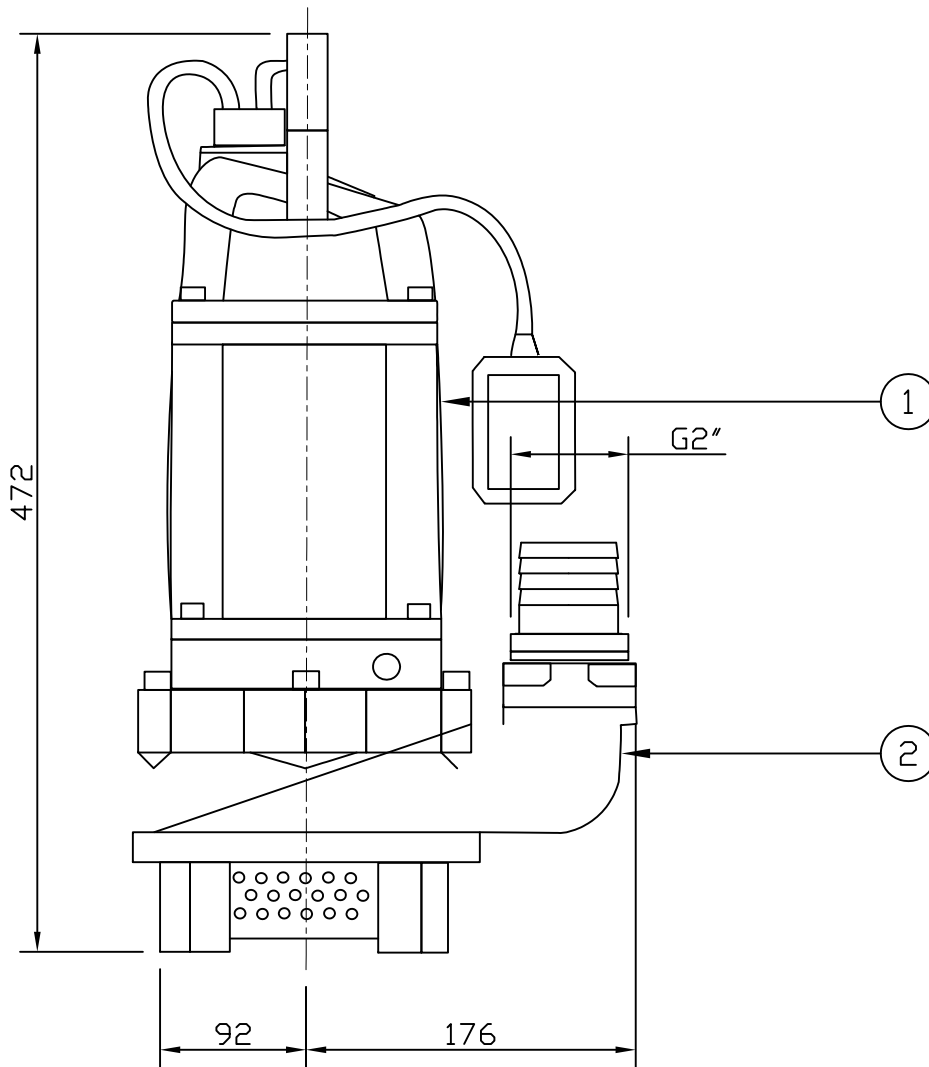
OUTPUT	0.4 kW
VOLTAGE	220 V
FREQUENCY	60 Hz
SPEED	3600 rpm
TYPE	TEFC
MAKER	dooch

EFFICIENCY

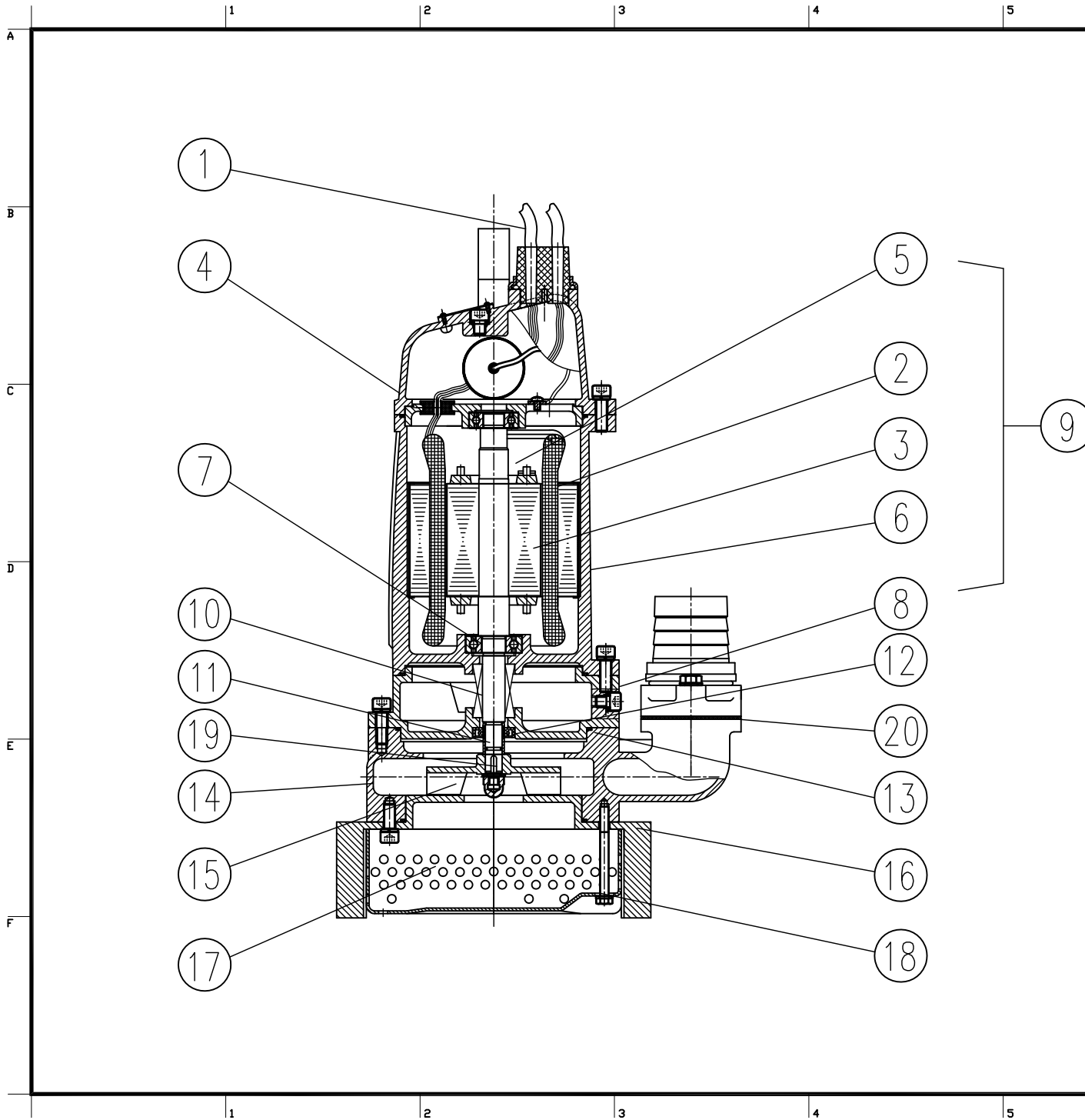
	EFF. (%)	CAPA. m ³ /h
A 효율	58.6	10.7
B 효율	57.4	12



- ▶ Performance curve of some models is subject to have 10% deviation.
- ▶ Subject to change without prior notice.



NO.	PART NAME	Q'ty	SPECIFICATION
1	MOTOR	1	0.4kW (0.5HP)
2	PUMP	1	NDS 04B-(M)(A)
SCALE	UNIT	MOTOR FRAME	
1:1	mm		
DRAWN	DESIGNED	CHECKED	APPROVED
Huh.T.J	Kim.J.S	Kim.J.S	Hur.M
REMARKS			
M: 입력전원 단상 A: 자동스위치 적용			
MODEL			
NDS 04B-(M)(A)			
DWG. NO.			
OD-NDS-0.4			
DISCRIPTION			
SUBMERSIBLE PUMP			
DOOCH CO., LTD.			



ND.	PART NAME	Q'ty	MATERIAL	REMARKS
1	CABLE ASS'Y	-	IEC57	
2	STATOR ASS'Y	1	-	
3	ROTOR ASS'Y	1	-	
4	HEAD COVER	1	GC200	
5	UPPER BEARING	1	-	
6	FRAME	1	GC200	
7	LOWER BEARING	1	-	
8	END BRACKET	1	GC200	
9	MOTOR ASS'Y	1	-	
10	M/C SEAL	1	SIC	
11	SLEEVE	1	STS304	
12	OIL SEAL	1	NBR	
13	O-RING	1	NBR	
14	CASING	1	GC200	
15	IMPELLER	1	GC200	
16	SUCTION COVER	1	GC200	
17	STRAINER	1	Fe360A	
18	BOLT	3	STS201	
19	KEY	1	STS201	
20	FLANGE	1	GC200	
SCALE		UNIT	MOTOR FRAME	
1:1		mm		
DRAWN	DESIGNED	CHECKED	APPROVED	
Huh.T.J	Huh.T.J	Kim.J.S	Hur.M	
CUSTOMER				
MODEL				
NDS B SERIES				
DWG. NO.				
ST-NDS				
DISCRIPTION				
SUBMERSIBLE PUMP				
DOOCH CO., LTD.				



SUBMERSIBLE PUMP DATASHEET

					DOC. NO.									
					DATE issued									
					SPEC. OF PUMP		<input checked="" type="checkbox"/> FOR MFG. <input type="checkbox"/> ESTIMATED							
CUSTOMER					APP'D BY		CHK'D BY		MADE BY					
PROJECT NAME					0 ORIGINAL									
ITEM NO.		LOCATIONS		1										
PUMP MODEL		QUANTITY		1		2								
PUMP TYPE					DRIVER		MOTOR							
SUPPLIER		MFG.		DOOCH			QUANTITY		SETS					
OPERATING CONDITIONS					PERFORMANCE									
LIQUID		SEWAGE/WATER			SPEED		rpm		EFF.	57.1	%			
CAPACITY		300		LPM		18		m ³ /Hr		NPSHre				
TOTAL HEAD		11.1		m		36.4		ft		MATERIALS				
PRESS.	SUC.			kgf/cm ²				PsiG		PART				
	DIS.			kgf/cm ²				PsiG		KS CODE				
	DIF.			kgf/cm ²				PsiG		CASING				
	VAPOR.			kgf/cm ²				PsiG		IMPELLER				
LIQUID TEMP.		NORMAL			°C		MAX				°C			
NPSH Avail.				m				ft						
VISCOSITY				cP		S.GRAVITY		1		ELECTRIC MOTOR				
SOLID	SIZE			mm		CORR/EROSMAX				MFG.	dooch			
	CONTENT			%		CAUSED BY				ENCLOSURE	T.E.			
CONSTRUCTIONS					SYNC.SPEED		3600		rpm		CYCLE	60	Hz	
CASING		MOUNT	SUBMERSIBLE		SPLIT				PHASE		1	Φ	INS.CLASS	B, IP68
CONNECT		BORE DIA.		RATING		POSITION		FACING		VOLTAGE		220		V
DISCHARGE		50	mm								ACCESSORIES			
NO. OF STAGE		1								CABTYRE CABLE				m
INSTALLATION		<input checked="" type="checkbox"/> INDOOR <input type="checkbox"/> OUTDOOR <input type="checkbox"/> SUBMERSIBLE								LIFTING CHAIN & SHACLE		N/A		m
BASE PLATE		<input type="checkbox"/> COMMON <input type="checkbox"/> SOLE <input type="checkbox"/> N/A								DISCHARGE ELBOW		<input type="checkbox"/> YES <input checked="" type="checkbox"/> NO		
IMPELLER		<input type="checkbox"/> CLOSE <input type="checkbox"/> OPEN <input type="checkbox"/> SEMI-OPEN								QUICK DIS.CONNECTOR		<input type="checkbox"/> YES <input checked="" type="checkbox"/> NO		
LUBRICANT		<input type="checkbox"/> GREASE <input checked="" type="checkbox"/> OIL <input type="checkbox"/> WATER(SELF)								GUIDE PIPE		<input type="checkbox"/> YES <input checked="" type="checkbox"/> NO		
COUPLING		<input type="checkbox"/> FLEXIBLE <input checked="" type="checkbox"/> RIGID <input type="checkbox"/> MUFF								LEVEL SWITCH		<input type="checkbox"/> YES <input checked="" type="checkbox"/> NO		
TRANS.		<input checked="" type="checkbox"/> DIRECT <input type="checkbox"/> V-BELT								COUNTER FLANGE		<input type="checkbox"/> YES <input checked="" type="checkbox"/> NO		
ROTATION VIEWED FROM DRIVER					<input checked="" type="checkbox"/> C.W (ClockWise)						WEIGHT (APPROX.)			
					<input type="checkbox"/> C.C.W (Counter ClockWise)						PUMP			kg
BEARING		DRIVEN		END						OPTIONS				kg
										TOTAL WEIGHT				kg
SHAFT SEAL		TYPE	DOUBLE MECHANICAL SEAL							SPARE PARTS				
		MATERIAL								PARTS NAME	Q.TY	PARTS NAME	Q.TY	
PAINTING		COLOR	No.1 (BLACK)							Set(s)		Set(s)		
		MATERIAL	TAR EPOXY							Set(s)		Set(s)		
REMARKS														
1. Except Details specified on this DATASHEET, all subject including test shall be performed in accordance with DOOCH's standard														

PROJECT : 선정프로그램 SAMPLE 자료

MODEL : NDS-08B-M

PUMP

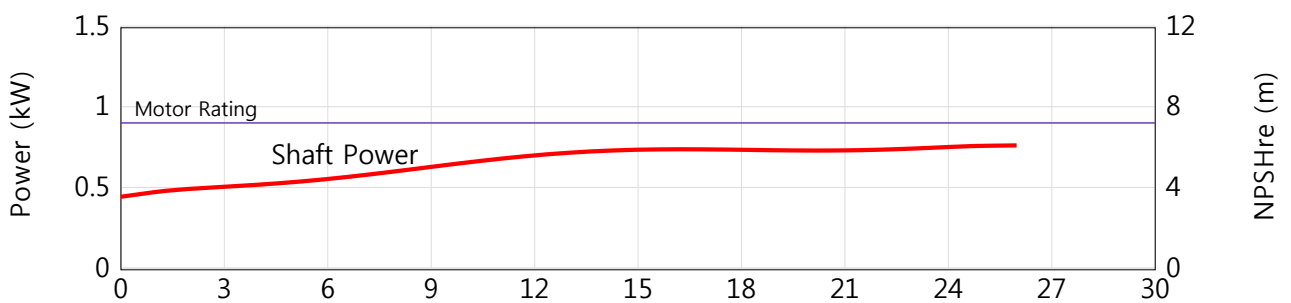
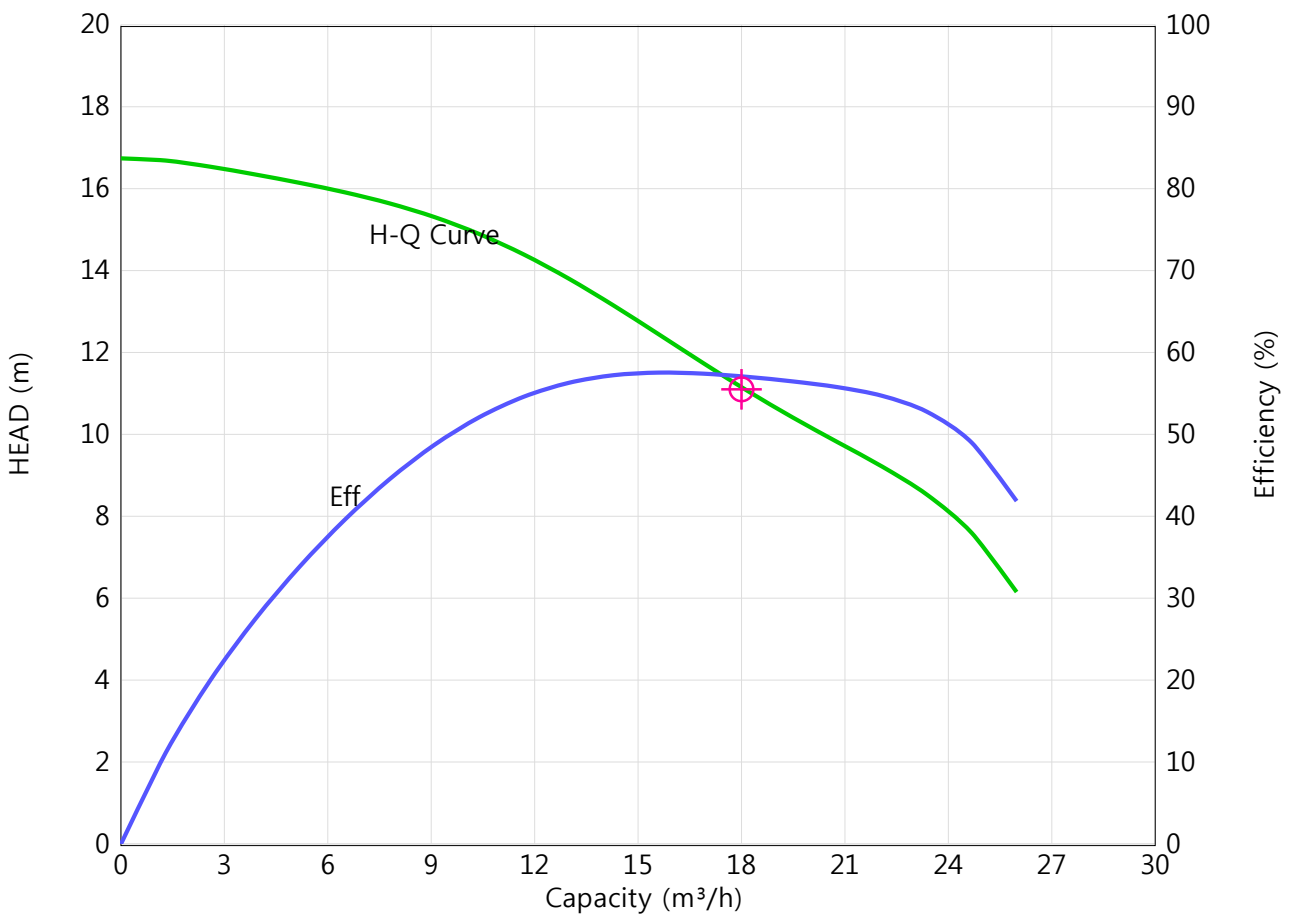
CAPACITY	18	m ³ /h
TOTAL HEAD	11.1	m
SUCTION		mm
DISCHARGE	50	mm
LIQUID	WATER	
MAKER	DOOCH	

MOTOR

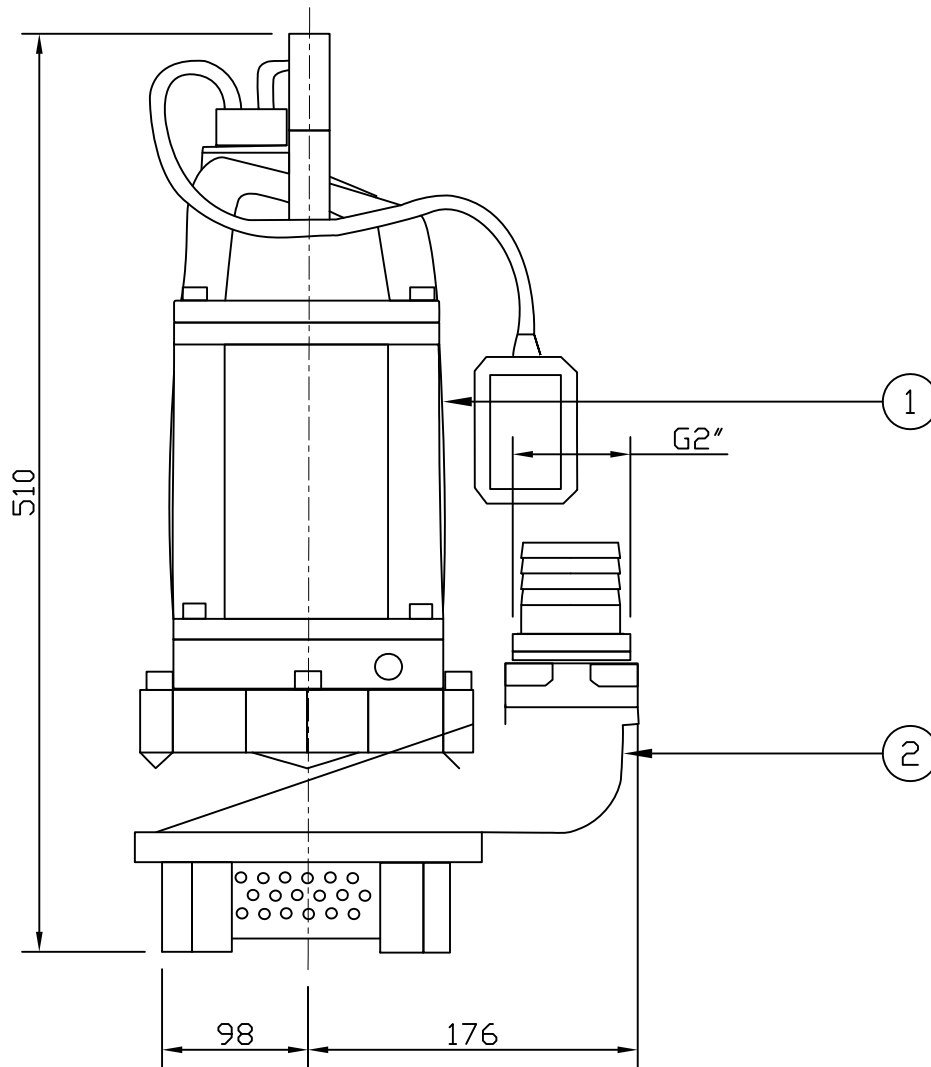
OUTPUT	0.9	kW
VOLTAGE	220	V
FREQUENCY	60	Hz
SPEED	3600	rpm
TYPE	TEFC	
MAKER	dooch	

EFFICIENCY

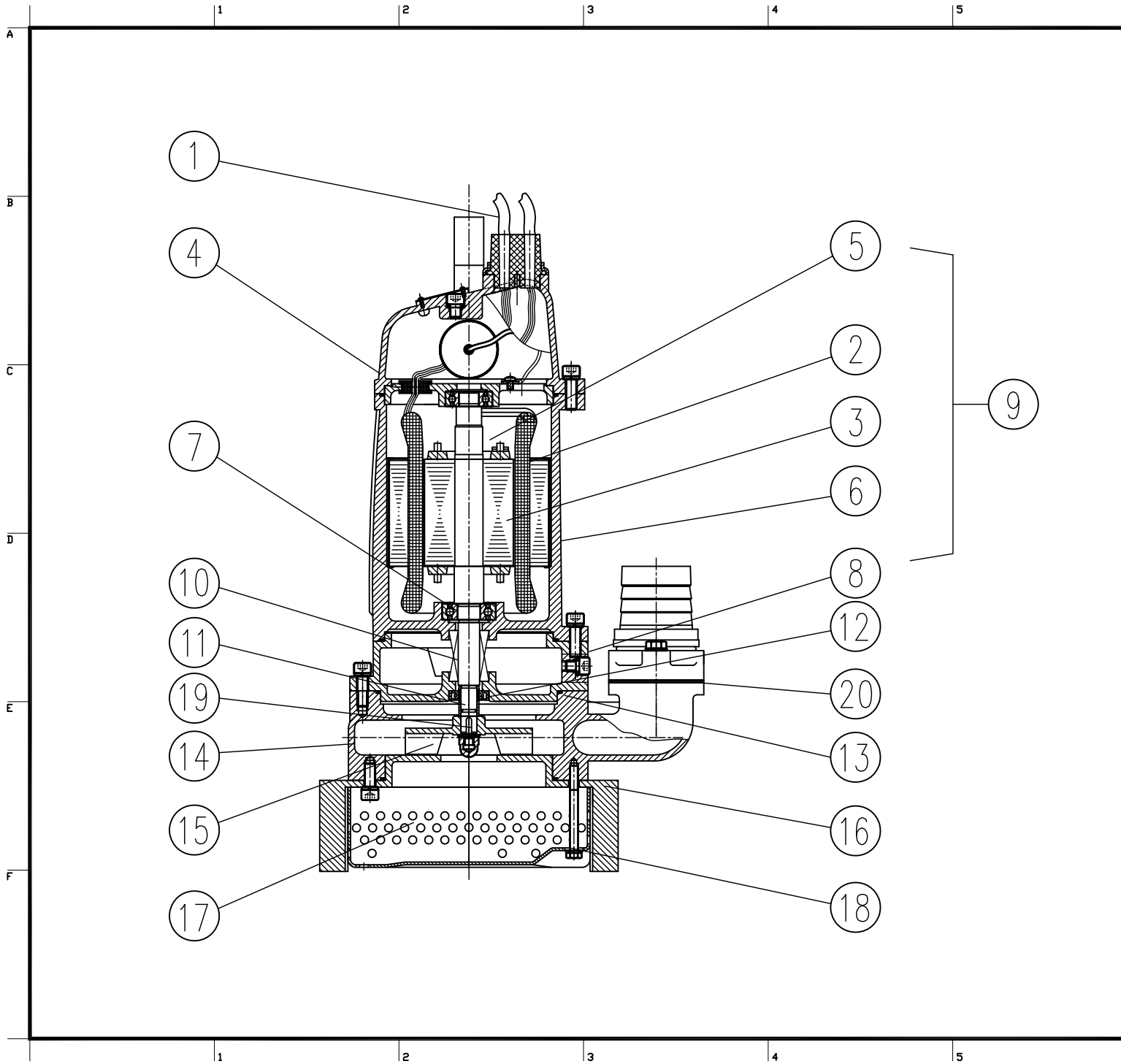
	EFF. (%)	CAPA. m ³ /h
A 효율	57.5	15.8
B 효율	57.1	18



- ▶ Performance curve of some models is subject to have 10% deviation.
- ▶ Subject to change without prior notice.



NO.	PART NAME	Q'ty	SPECIFICATION
1	MOTOR	1	0.9kW (1HP)
2	PUMP	1	NDS 08B-(M)(A)
SCALE	UNIT	MOTOR FRAME	
1:1	mm		
DRAWN	DESIGNED	CHECKED	APPROVED
Huh.T.J	Kim.J.S	Kim.J.S	Hur.M
REMARKS			
M: 입력전원 단상 A: 자동스위치 적용			
MODEL			
NDS 08B-(M)(A)			
DWG. NO.			
OD-NDS-0.9			
DISCRIPTION			
SUBMERSIBLE PUMP			
DOOCH CO., LTD.			



ND.	PART NAME	Q'ty	MATERIAL	REMARKS
1	CABLE ASS'Y	-	IEC57	
2	STATOR ASS'Y	1	-	
3	ROTOR ASS'Y	1	-	
4	HEAD COVER	1	GC200	
5	UPPER BEARING	1	-	
6	FRAME	1	GC200	
7	LOWER BEARING	1	-	
8	END BRACKET	1	GC200	
9	MOTOR ASS'Y	1	-	
10	M/C SEAL	1	SIC	
11	SLEEVE	1	STS304	
12	OIL SEAL	1	NBR	
13	O-RING	1	NBR	
14	CASING	1	GC200	
15	IMPELLER	1	GC200	
16	SUCTION COVER	1	GC200	
17	STRAINER	1	Fe360A	
18	BOLT	3	STS201	
19	KEY	1	STS201	
20	FLANGE	1	GC200	
SCALE		UNIT	MOTOR FRAME	
1:1		mm		
DRAWN	DESIGNED	CHECKED	APPROVED	
Huh.T.J	Huh.T.J	Kim.J.S	Hur.M	
CUSTOMER				
MODEL				
NDS B SERIES				
DWG. NO.				
ST-NDS				
DISCRIPTION				
SUBMERSIBLE PUMP				
DOOCH CO., LTD.				



SUBMERSIBLE PUMP DATASHEET

					DOC. NO.									
					DATE issued									
					SPEC. OF PUMP		<input checked="" type="checkbox"/> FOR MFG. <input type="checkbox"/> ESTIMATED							
CUSTOMER					APP'D BY		CHK'D BY		MADE BY					
PROJECT NAME					0 ORIGINAL									
ITEM NO.					1									
PUMP MODEL					2									
PUMP TYPE					DRIVER		MOTOR							
SUPPLIER					MFG.		DOOCH		QUANTITY		SETS			
OPERATING CONDITIONS					PERFORMANCE									
LIQUID					SEWAGE/WATER		SPEED		rpm		EFF.	57.1	%	
CAPACITY					300	LPM	18	m ³ /Hr	NPSHre	m	SFT. POWER	0.73	kW	
TOTAL HEAD					11.1	m	36.4	ft	MATERIALS					
PRESS.	SUC.		kgf/cm ²		PsiG		PART			KS CODE				
	DIS.		kgf/cm ²		PsiG		CASING			GC200				
	DIF.		kgf/cm ²		PsiG		IMPELLER			GC200				
	VAPOR.		kgf/cm ²		PsiG		SHAFT			STS304				
LIQUID TEMP.					NORMAL	°C	MAX	°C	BOLT & NUT		STS304			
NPSH Avail.					m		ft							
VISCOSITY					cP	S.GRAVITY	1	ELECTRIC MOTOR						
SOLID					SIZE	mm	CORR/EROSMAX	MFG.	dooch		ENCLOSURE	T.E.		
					CONTENT	%	CAUSED BY	R.OUTPUT	0.9	kW	POLE	2	P	
CONSTRUCTIONS					SYNC.SPEED		3600	rpm	CYCLE	60	Hz			
CASING					MOUNT	SUBMERSIBLE	SPLIT	PHASE	1	Φ	INS.CLASS	B, IP68		
CONNECT					BORE DIA.	RATING	POSITION	FACING	VOLTAGE	220	V	TEMP.RISE		
DISCHARGE					50	mm		ACCESSORIES						
NO. OF STAGE					1		CABTYRE CABLE				m			
INSTALLATION					<input checked="" type="checkbox"/> INDOOR <input type="checkbox"/> OUTDOOR <input type="checkbox"/> SUBMERSIBLE		LIFTING CHAIN & SHACLE		N/A		m			
BASE PLATE					<input type="checkbox"/> COMMON <input type="checkbox"/> SOLE <input type="checkbox"/> N/A		DISCHARGE ELBOW		<input type="checkbox"/> YES <input checked="" type="checkbox"/> NO					
IMPELLER					<input type="checkbox"/> CLOSE <input type="checkbox"/> OPEN <input type="checkbox"/> SEMI-OPEN		QUICK DIS.CONNECTOR		<input type="checkbox"/> YES <input checked="" type="checkbox"/> NO					
LUBRICANT					<input type="checkbox"/> GREASE <input checked="" type="checkbox"/> OIL <input type="checkbox"/> WATER(SELF)		GUIDE PIPE		<input type="checkbox"/> YES <input checked="" type="checkbox"/> NO					
COUPLING					<input type="checkbox"/> FLEXIBLE <input checked="" type="checkbox"/> RIGID <input type="checkbox"/> MUFF		LEVEL SWITCH		<input type="checkbox"/> YES <input checked="" type="checkbox"/> NO					
TRANS.					<input checked="" type="checkbox"/> DIRECT <input type="checkbox"/> V-BELT		COUNTER FLANGE		<input type="checkbox"/> YES <input checked="" type="checkbox"/> NO					
ROTATION VIEWED FROM DRIVER					<input checked="" type="checkbox"/> C.W (ClockWise) <input type="checkbox"/> C.C.W (Counter ClockWise)		WEIGHT (APPROX.)							
BEARING					DRIVEN		END		PUMP		kg			
									OPTIONS		kg			
									TOTAL WEIGHT		kg			
SHAFT SEAL					TYPE		DOUBLE MECHANICAL SEAL		SPARE PARTS					
					MATERIAL				PARTS NAME		Q.TY		PARTS NAME	
PAINTING					COLOR		No.1 (BLACK)				Set(s)		Set(s)	
					MATERIAL		TAR EPOXY						Set(s)	
REMARKS														
1. Except Details specified on this DATASHEET, all subject including test shall be performed in accordance with DOOCH's standard														

PROJECT : 선정프로그램 SAMPLE 자료

MODEL : NDS-08B-MA

PUMP

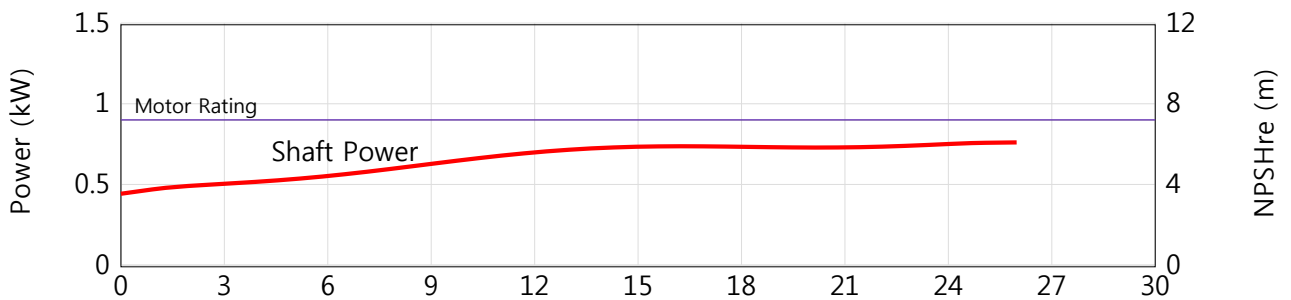
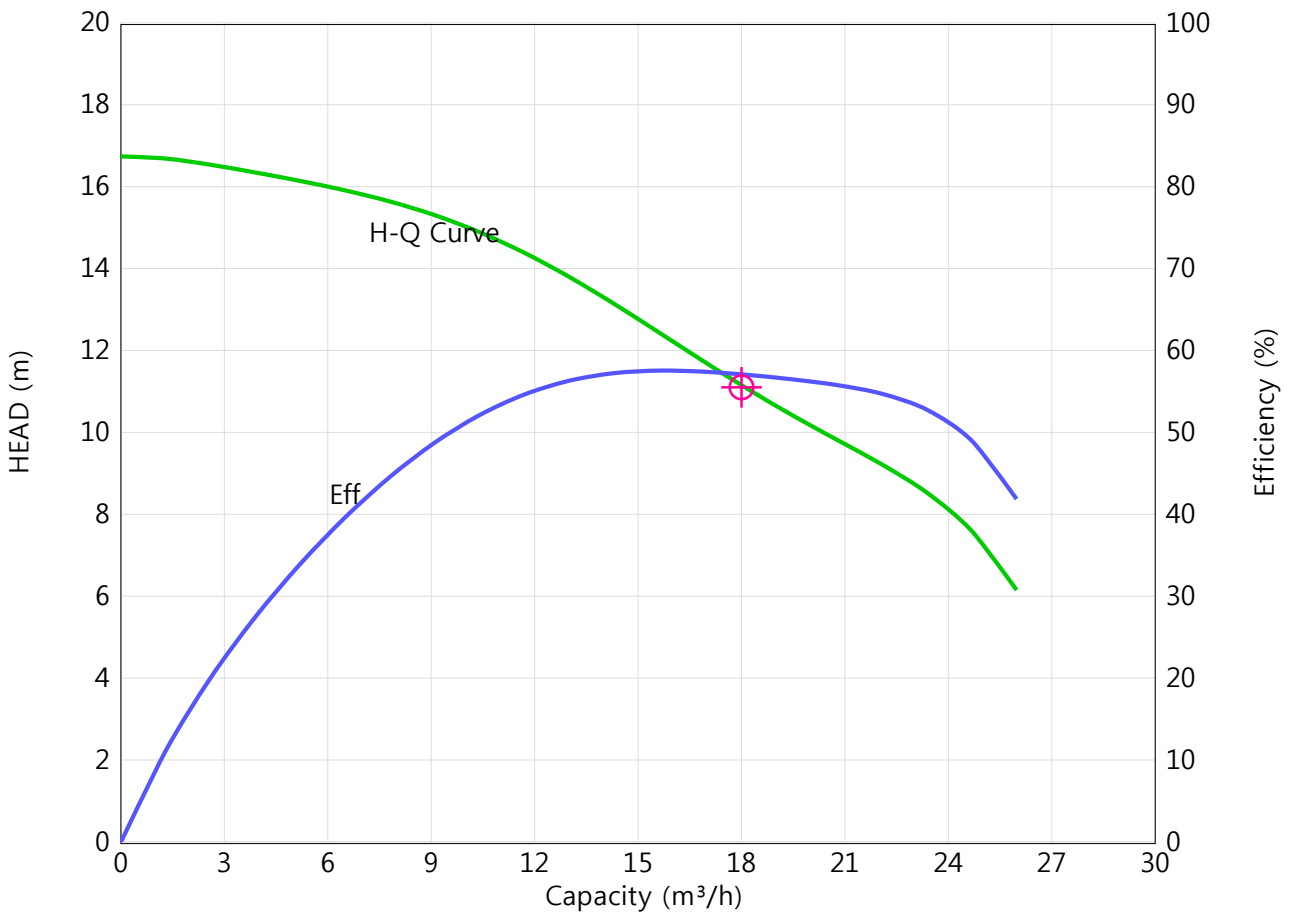
CAPACITY	18	m ³ /h
TOTAL HEAD	11.1	m
SUCTION		mm
DISCHARGE	50	mm
LIQUID	WATER	
MAKER	DOOCH	

MOTOR

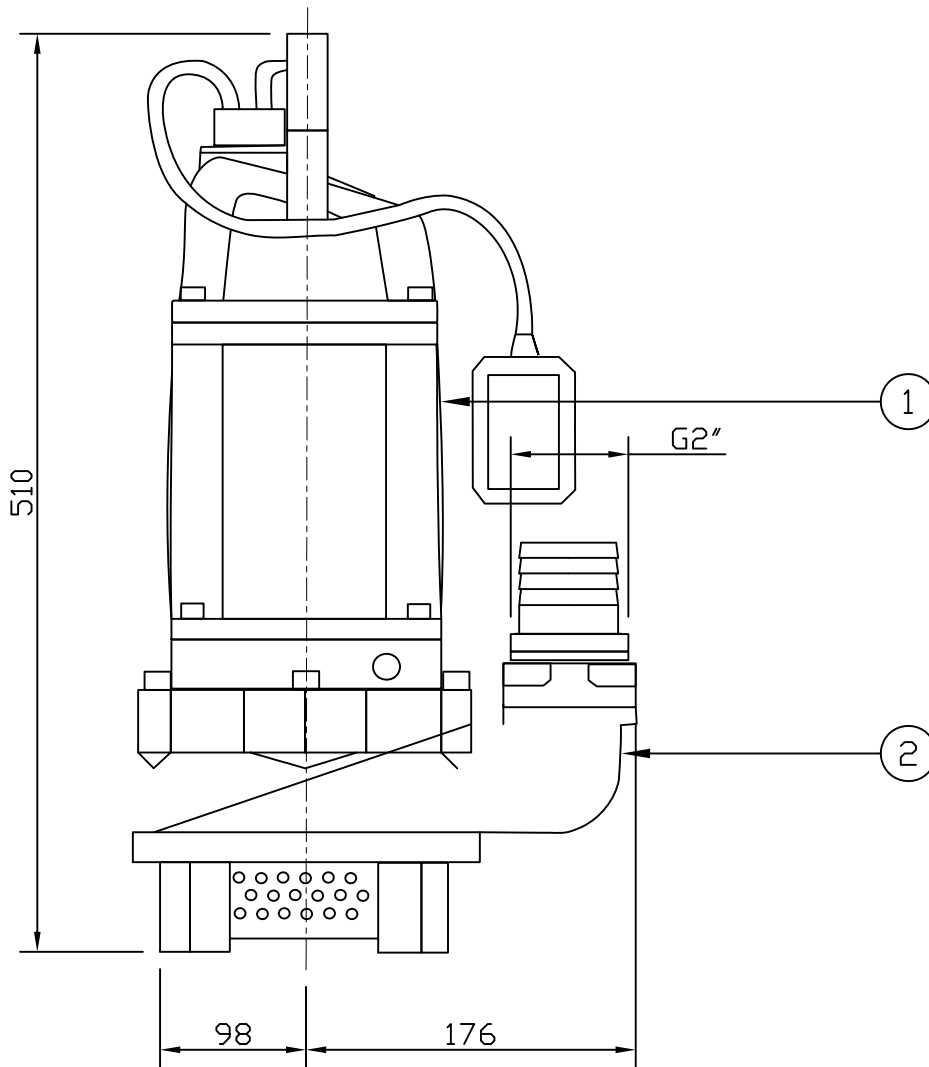
OUTPUT	0.9	kW
VOLTAGE	220	V
FREQUENCY	60	Hz
SPEED	3600	rpm
TYPE	TEFC	
MAKER	dooch	

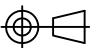

EFFICIENCY

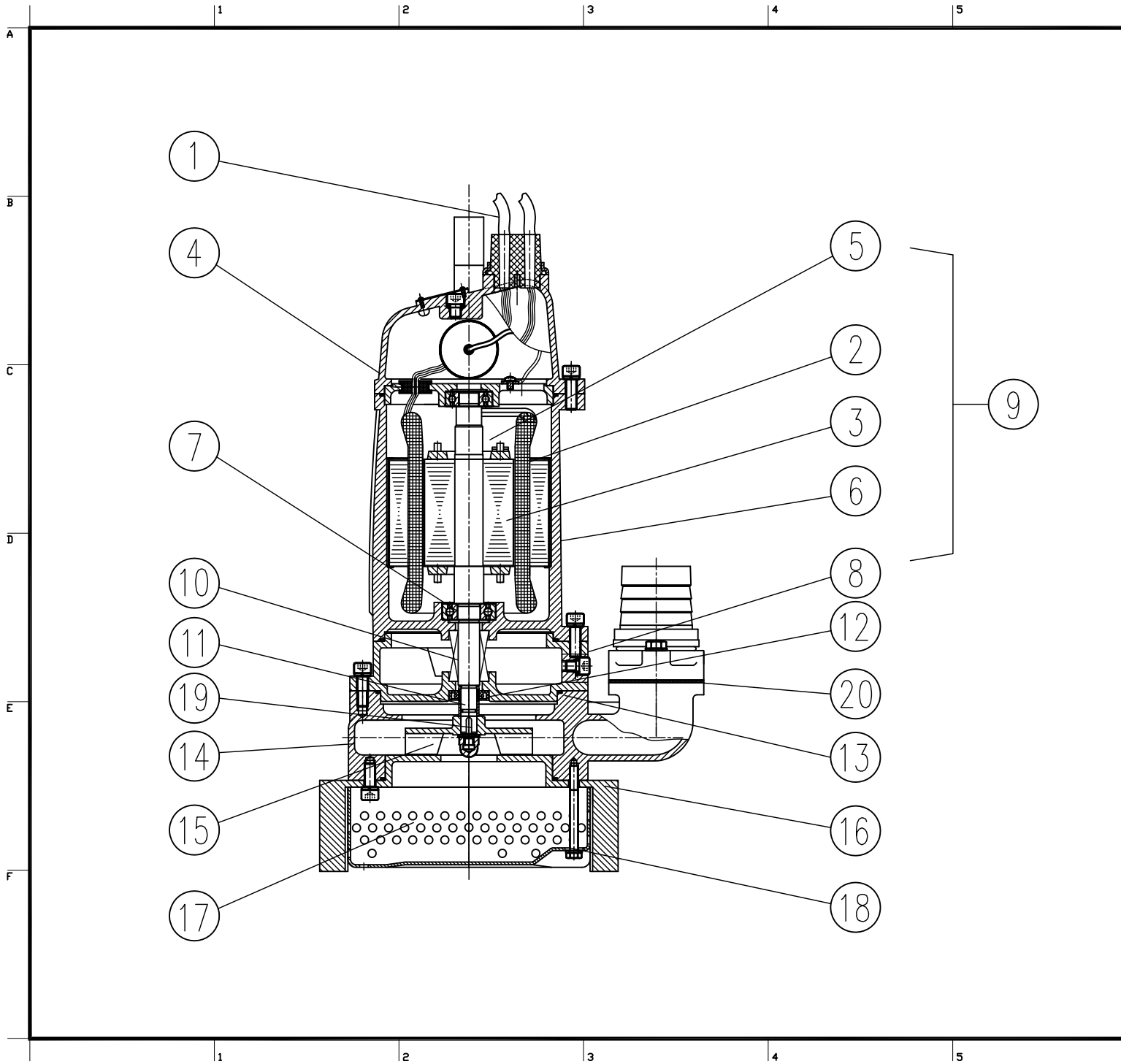
	EFF. (%)	CAPA. m ³ /h
A 효율	57.5	15.8
B 효율	57.1	18



- ▶ Performance curve of some models is subject to have 10% deviation.
- ▶ Subject to change without prior notice.



NO.	PART NAME	Q'ty	SPECIFICATION
1	MOTOR	1	0.9kW (1HP)
2	PUMP	1	NDS 08B-(M)(A)
SCALE	UNIT	MOTOR FRAME	
1:1	mm		
DRAWN	DESIGNED	CHECKED	APPROVED
Huh.T.J	Kim.J.S	Kim.J.S	Hur.M
REMARKS			
M: 입력전원 단상 A: 자동스위치 적용			
MODEL			
NDS 08B-(M)(A)			
DWG. NO.			
OD-NDS-0.9			
DISCRIPTION			
SUBMERSIBLE PUMP			
 DOOCH CO., LTD.			



ND.	PART NAME	Q'ty	MATERIAL	REMARKS
1	CABLE ASS'Y	-	IEC57	
2	STATOR ASS'Y	1	-	
3	ROTOR ASS'Y	1	-	
4	HEAD COVER	1	GC200	
5	UPPER BEARING	1	-	
6	FRAME	1	GC200	
7	LOWER BEARING	1	-	
8	END BRACKET	1	GC200	
9	MOTOR ASS'Y	1	-	
10	M/C SEAL	1	SIC	
11	SLEEVE	1	STS304	
12	OIL SEAL	1	NBR	
13	O-RING	1	NBR	
14	CASING	1	GC200	
15	IMPELLER	1	GC200	
16	SUCTION COVER	1	GC200	
17	STRAINER	1	Fe360A	
18	BOLT	3	STS201	
19	KEY	1	STS201	
20	FLANGE	1	GC200	
SCALE		UNIT	MOTOR FRAME	
1:1		mm		
DRAWN	DESIGNED	CHECKED	APPROVED	
Huh.T.J	Huh.T.J	Kim.J.S	Hur.M	
CUSTOMER				
MODEL				
NDS B SERIES				
DWG. NO.				
ST-NDS				
DISCRIPTION				
SUBMERSIBLE PUMP				
DOOCH CO., LTD.				



SUBMERSIBLE PUMP DATASHEET

					DOC. NO.							
					DATE issued							
					SPEC. OF PUMP		<input checked="" type="checkbox"/> FOR MFG. <input type="checkbox"/> ESTIMATED					
CUSTOMER					APP'D BY		CHK'D BY		MADE BY			
PROJECT NAME		선정프로그램 SAMPLE 자료			0 ORIGINAL							
ITEM NO.		LOCATIONS		1								
PUMP MODEL		NDS-110B	QUANTITY		1	2						
PUMP TYPE		SUBMERSIBLE			DRIVER		MOTOR					
SUPPLIER			MFG.	DOOCH			QUANTITY		SETS			
OPERATING CONDITIONS					PERFORMANCE							
LIQUID		SEWAGE/WATER			SPEED		3550	rpm	EFF.	47	%	
CAPACITY		660	LPM	39.6	m ³ /Hr		NPSHre		m	SFT. POWER	10.36	kW
TOTAL HEAD		45.9	m	150.6		ft		MATERIALS				
PRESS.		SUC.	kgf/cm ²		PsiG		PART		KS CODE			
		DIS.	kgf/cm ²		PsiG		CASING		GC200			
		DIF.	kgf/cm ²		PsiG		IMPELLER		GC200			
		VAPOR.	kgf/cm ²		PsiG		SHAFT		STS410			
LIQUID TEMP.		NORMAL	°C	MAX	°C	BOLT & NUT		STS304				
NPSH Avail.		m		ft								
VISCOSITY		cP	S.GRAVITY		3	ELECTRIC MOTOR						
SOLID		SIZE	mm	CORR/EROSMAX		MFG.	DOOCH		ENCLOSURE	T.E		
		CONTENT	%	CAUSED BY		R.OUTPUT	11	kW	POLE	2	P	
CONSTRUCTIONS					SYNC.SPEED		3550	rpm	CYCLE	60	Hz	
CASING		MOUNT	SUBMERSIBLE	SPLIT			PHASE		3	Φ	INS.CLASS	B,IP68
CONNECT		BORE DIA.	RATING		POSITION	FACING	VOLTAGE		380	V	TEMP.RISE	
DISCHARGE		100	mm	10K	TOP	FF	ACCESSORIES					
NO. OF STAGE		1			CABTYRE CABLE		8			m		
INSTALLATION		<input checked="" type="checkbox"/> INDOOR <input type="checkbox"/> OUTDOOR <input type="checkbox"/> SUBMERSIBLE			LIFTING CHAIN & SHACLE		5			m		
BASE PLATE		<input type="checkbox"/> COMMON <input type="checkbox"/> SOLE <input type="checkbox"/> N/A			DISCHARGE ELBOW				<input checked="" type="checkbox"/> YES <input type="checkbox"/> NO			
IMPELLER		<input type="checkbox"/> CLOSE <input type="checkbox"/> OPEN <input type="checkbox"/> SEMI-OPEN			QUICK DIS.CONNECTOR				<input type="checkbox"/> YES <input checked="" type="checkbox"/> NO			
LUBRICANT		<input type="checkbox"/> GREASE <input checked="" type="checkbox"/> OIL <input type="checkbox"/> WATER(SELF)			GUIDE PIPE				<input type="checkbox"/> YES <input checked="" type="checkbox"/> NO			
COUPLING		<input type="checkbox"/> FLEXIBLE <input checked="" type="checkbox"/> RIGID <input type="checkbox"/> MUFF			LEVEL SWITCH				<input type="checkbox"/> YES <input checked="" type="checkbox"/> NO			
TRANS.		<input checked="" type="checkbox"/> DIRECT <input type="checkbox"/> V-BELT			COUNTER FLANGE				<input checked="" type="checkbox"/> YES <input type="checkbox"/> NO			
ROTATION VIEWED FROM DRIVER		<input type="checkbox"/> C.W (ClockWise)			WEIGHT (APPROX.)							
		<input type="checkbox"/> C.C.W (Counter ClockWise)			PUMP						kg	
BEARING		DRIVEN		END		OPTIONS				kg		
						TOTAL WEIGHT				kg		
SHAFT SEAL		TYPE	DOUBLE MECHANICAL SEAL			SPARE PARTS						
		MATERIAL				PARTS NAME		Q.TY	PARTS NAME		Q.TY	
PAINTING		COLOR	WINE COLOR					Set(s)			Set(s)	
		MATERIAL	TAR EPOXY					Set(s)			Set(s)	
REMARKS												
<p>1. Except Details specified on this DATASHEET, all subject including test shall be performed in accordance with DOOCH's standard</p>												

PROJECT : 선정프로그램 SAMPLE 자료

MODEL : NDS-110B

PUMP

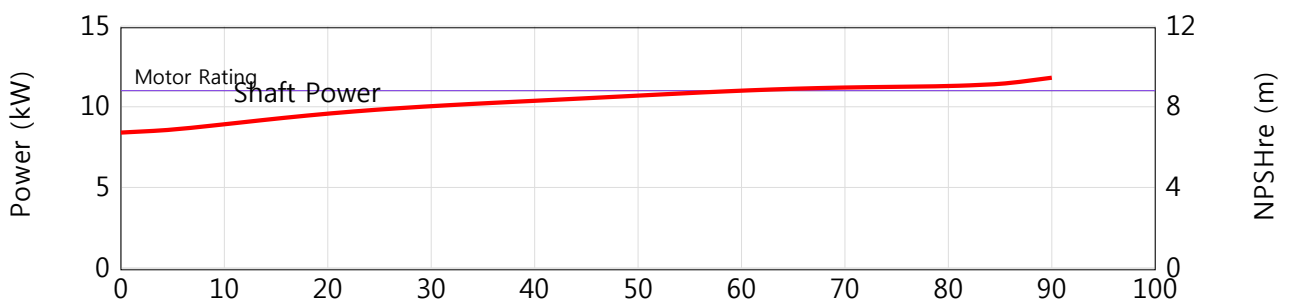
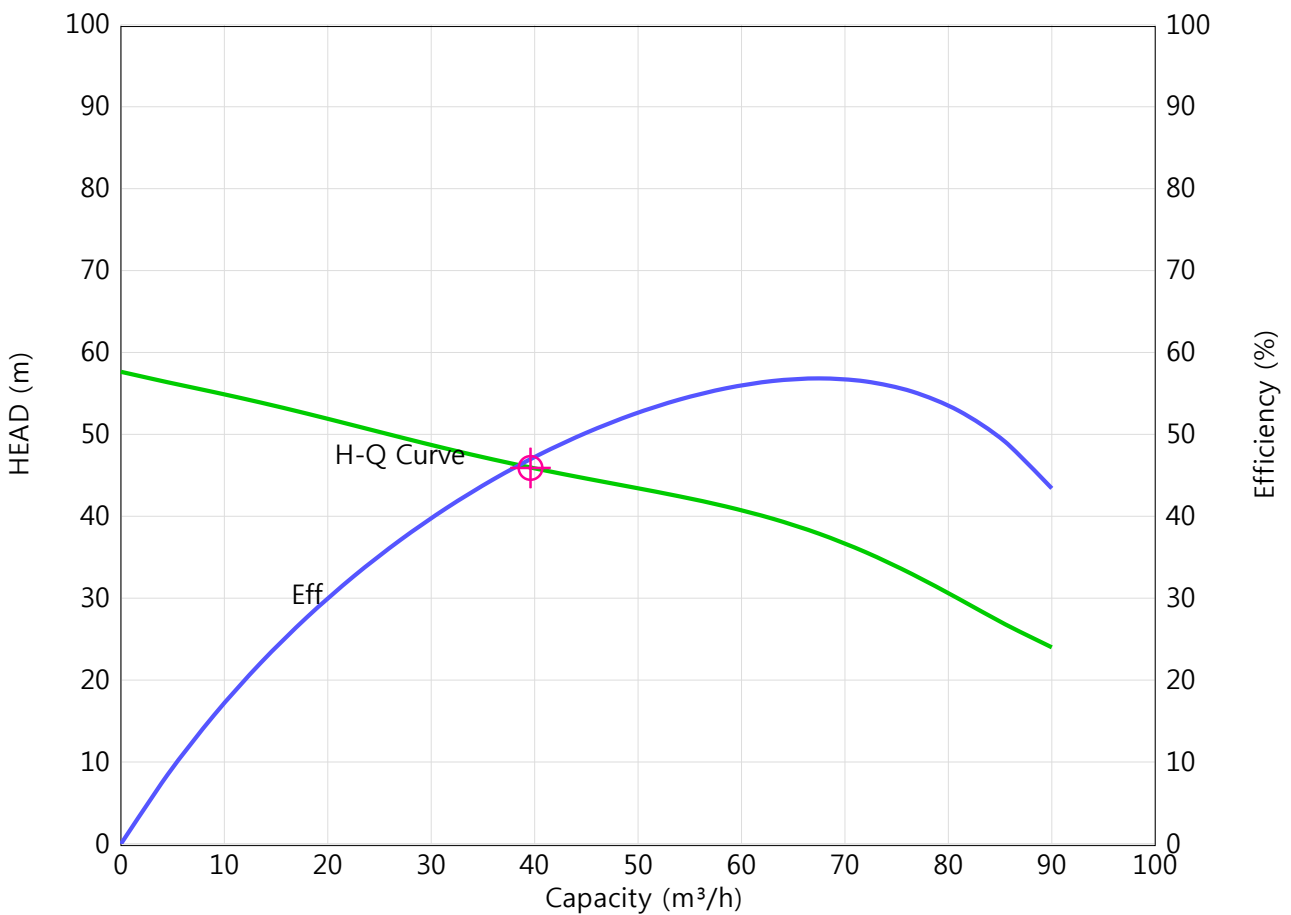
CAPACITY	39.6 m ³ /h
TOTAL HEAD	45.9 m
SUCTION	mm
DISCHARGE	100 mm
LIQUID	WATER
MAKER	DOOCH

MOTOR

OUTPUT	11 kW
VOLTAGE	380 V
FREQUENCY	60 Hz
SPEED	3550 rpm
TYPE	TEFC
MAKER	DOOCH

EFFICIENCY

	EFF. (%)	CAPA. m ³ /h
A 효율	56.8	67.5
B 효율	47	39.6



- ▶ Performance curve of some models is subject to have 10% deviation.
- ▶ Subject to change without prior notice.



SUBMERSIBLE PUMP DATASHEET

					DOC. NO.							
					DATE issued							
					SPEC. OF PUMP		<input checked="" type="checkbox"/> FOR MFG. <input type="checkbox"/> ESTIMATED					
CUSTOMER					APP'D BY		CHK'D BY		MADE BY			
PROJECT NAME					0 ORIGINAL							
ITEM NO.		LOCATIONS		1								
PUMP MODEL		QUANTITY		1		2						
PUMP TYPE					DRIVER		MOTOR					
SUPPLIER		MFG.		DOOCH			QUANTITY		SETS			
OPERATING CONDITIONS					PERFORMANCE							
LIQUID		SEWAGE/WATER			SPEED		3550	rpm	EFF.	57.6	%	
CAPACITY		900	LPM	54	m ³ /Hr		NPSHre		m	SFT. POWER	13.87	kW
TOTAL HEAD		52.6	m	172.6	ft		MATERIALS					
PRESS.		SUC.		kgf/cm ²		PsiG		PART		KS CODE		
		DIS.		kgf/cm ²		PsiG		CASING		GC200		
		DIF.		kgf/cm ²		PsiG		IMPELLER		GC200		
		VAPOR.		kgf/cm ²		PsiG		SHAFT		STS410		
LIQUID TEMP.		NORMAL	°C	MAX	°C	BOLT & NUT		STS304				
NPSH Avail.		m		ft								
VISCOSITY		cP	S.GRAVITY		4	ELECTRIC MOTOR						
SOLID		SIZE	mm	CORR/EROSMAX		MFG.		DOOCH		ENCLOSURE	T.E	
		CONTENT	%	CAUSED BY		R.OUTPUT		15	kW	POLE	2	P
CONSTRUCTIONS					SYNC.SPEED		3550	rpm	CYCLE	60	Hz	
CASING		MOUNT	SUBMERSIBLE	SPLIT			PHASE		3	Φ	INS.CLASS	B,IP68
CONNECT		BORE DIA.	RATING		POSITION	FACING	VOLTAGE		380	V	TEMP.RISE	
DISCHARGE		100	mm	10K	TOP	FF	ACCESSORIES					
NO. OF STAGE		1		CABTYRE CABLE		8	m					
INSTALLATION		<input checked="" type="checkbox"/> INDOOR <input type="checkbox"/> OUTDOOR <input type="checkbox"/> SUBMERSIBLE		LIFTING CHAIN & SHACLE		5	m					
BASE PLATE		<input type="checkbox"/> COMMON <input type="checkbox"/> SOLE <input type="checkbox"/> N/A		DISCHARGE ELBOW		<input checked="" type="checkbox"/> YES <input type="checkbox"/> NO						
IMPELLER		<input type="checkbox"/> CLOSE <input type="checkbox"/> OPEN <input type="checkbox"/> SEMI-OPEN		QUICK DIS.CONNECTOR		<input type="checkbox"/> YES <input checked="" type="checkbox"/> NO						
LUBRICANT		<input type="checkbox"/> GREASE <input checked="" type="checkbox"/> OIL <input type="checkbox"/> WATER(SELF)		GUIDE PIPE		<input type="checkbox"/> YES <input checked="" type="checkbox"/> NO						
COUPLING		<input type="checkbox"/> FLEXIBLE <input checked="" type="checkbox"/> RIGID <input type="checkbox"/> MUFF		LEVEL SWITCH		<input type="checkbox"/> YES <input checked="" type="checkbox"/> NO						
TRANS.		<input checked="" type="checkbox"/> DIRECT <input type="checkbox"/> V-BELT		COUNTER FLANGE		<input checked="" type="checkbox"/> YES <input type="checkbox"/> NO						
ROTATION VIEWED FROM DRIVER			<input type="checkbox"/> C.W (ClockWise) <input type="checkbox"/> C.C.W (Counter ClockWise)		WEIGHT (APPROX.)							
BEARING		DRIVEN		END		PUMP				kg		
						OPTIONS				kg		
						TOTAL WEIGHT				kg		
SHAFT SEAL		TYPE	DOUBLE MECHANICAL SEAL			SPARE PARTS						
		MATERIAL			PARTS NAME		Q.TY	PARTS NAME	Q.TY			
PAINTING		COLOR	WINE COLOR					Set(s)			Set(s)	
		MATERIAL	TAR EPOXY					Set(s)			Set(s)	
REMARKS												
1. Except Details specified on this DATASHEET, all subject including test shall be performed in accordance with DOOCH's standard												

PROJECT : 선정프로그램 SAMPLE 자료

MODEL : NDS-150B

PUMP

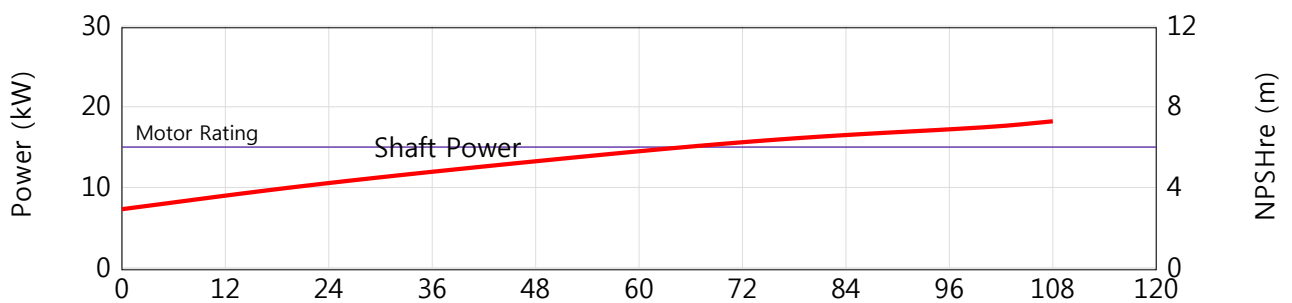
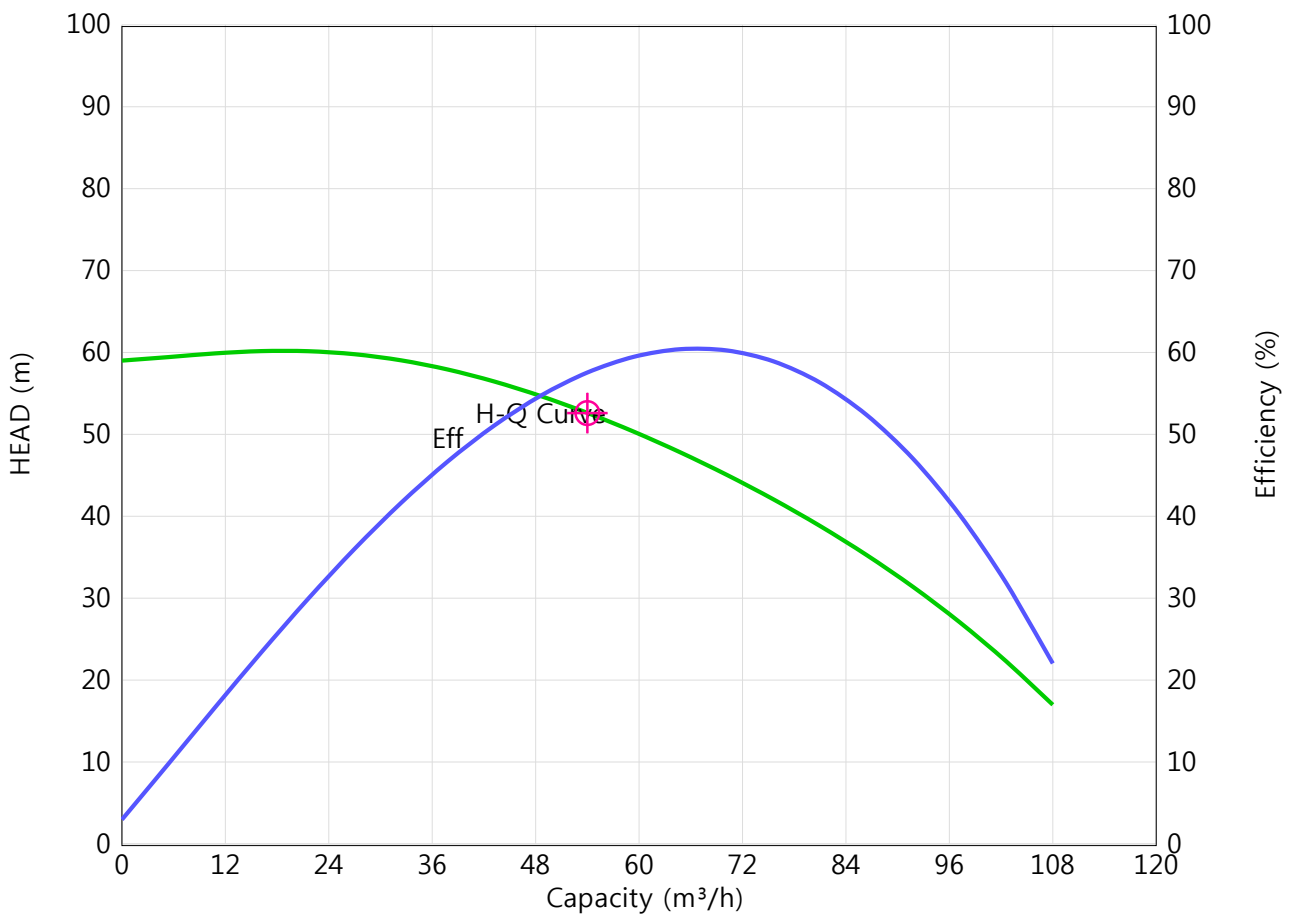
CAPACITY	54	m ³ /h
TOTAL HEAD	52.6	m
SUCTION		mm
DISCHARGE	100	mm
LIQUID	WATER	
MAKER	DOOCH	

MOTOR

OUTPUT	15	kW
VOLTAGE	380	V
FREQUENCY	60	Hz
SPEED	3550	rpm
TYPE	TEFC	
MAKER	DOOCH	

EFFICIENCY

	EFF. (%)	CAPA. m ³ /h
A 효율	60.5	66.8
B 효율	57.6	54



- ▶ Performance curve of some models is subject to have 10% deviation.
- ▶ Subject to change without prior notice.



SUBMERSIBLE PUMP DATASHEET

					DOC. NO.															
					DATE issued															
					SPEC. OF PUMP		<input checked="" type="checkbox"/> FOR MFG. <input type="checkbox"/> ESTIMATED													
CUSTOMER					APP'D BY		CHK'D BY		MADE BY											
PROJECT NAME					0 ORIGINAL															
ITEM NO.					1															
PUMP MODEL					2															
PUMP TYPE					DRIVER		MOTOR													
SUPPLIER					MFG.		DOOCH		QUANTITY		SETS									
OPERATING CONDITIONS					PERFORMANCE															
LIQUID					SEWAGE/WATER		SPEED		rpm		EFF.	43.1	%							
CAPACITY					500	LPM	30	m ³ /Hr	NPSHre	m	SFT. POWER	1.53	kW							
TOTAL HEAD					9.9	m	32.5	ft	MATERIALS											
PRESS.	SUC.		kgf/cm ²		PsiG		PART			KS CODE										
	DIS.		kgf/cm ²		PsiG		CASING			GC200										
	DIF.		kgf/cm ²		PsiG		IMPELLER			GC200										
	VAPOR.		kgf/cm ²		PsiG		SHAFT			STS304										
LIQUID TEMP.					NORMAL	°C	MAX	°C	BOLT & NUT			STS304								
NPSH Avail.					m	ft		ELECTRIC MOTOR												
VISCOSITY					cP	S.GRAVITY		1		MFG.			dooch		ENCLOSURE	T.E.				
SOLID					SIZE		mm		CORR/EROSMAX		MFG.		dooch		ENCLOSURE		T.E.			
					CONTENT		%		CAUSED BY		R.OUTPUT		1.5		kW		POLE		2 P	
CONSTRUCTIONS					SYNC.SPEED		3600		rpm		CYCLE		60		Hz					
CASING					MOUNT		SUBMERSIBLE		SPLIT		PHASE		3		Φ		INS.CLASS		B, IP68	
CONNECT					BORE DIA.		RATING		POSITION		FACING		VOLTAGE		220/380		V		TEMP.RISE	
DISCHARGE					50		mm		ACCESSORIES											
NO. OF STAGE					1		CABTYRE CABLE			6		m								
INSTALLATION					<input checked="" type="checkbox"/> INDOOR <input type="checkbox"/> OUTDOOR <input type="checkbox"/> SUBMERSIBLE		LIFTING CHAIN & SHACLE					5		m						
BASE PLATE					<input type="checkbox"/> COMMON <input type="checkbox"/> SOLE <input type="checkbox"/> N/A		DISCHARGE ELBOW					<input type="checkbox"/> YES <input checked="" type="checkbox"/> NO								
IMPELLER					<input type="checkbox"/> CLOSE <input type="checkbox"/> OPEN <input type="checkbox"/> SEMI-OPEN		QUICK DIS.CONNECTOR					<input type="checkbox"/> YES <input checked="" type="checkbox"/> NO								
LUBRICANT					<input type="checkbox"/> GREASE <input checked="" type="checkbox"/> OIL <input type="checkbox"/> WATER(SELF)		GUIDE PIPE					<input type="checkbox"/> YES <input checked="" type="checkbox"/> NO								
COUPLING					<input type="checkbox"/> FLEXIBLE <input checked="" type="checkbox"/> RIGID <input type="checkbox"/> MUFF		LEVEL SWITCH					<input type="checkbox"/> YES <input checked="" type="checkbox"/> NO								
TRANS.					<input checked="" type="checkbox"/> DIRECT <input type="checkbox"/> V-BELT		COUNTER FLANGE					<input type="checkbox"/> YES <input checked="" type="checkbox"/> NO								
ROTATION VIEWED FROM DRIVER					<input checked="" type="checkbox"/> C.W (ClockWise) <input type="checkbox"/> C.C.W (Counter ClockWise)		WEIGHT (APPROX.)													
BEARING					DRIVEN		END		PUMP			kg								
									OPTIONS			kg								
									TOTAL WEIGHT			kg								
SHAFT SEAL					TYPE		DOUBLE MECHANICAL SEAL			SPARE PARTS										
					MATERIAL					PARTS NAME		Q.TY		PARTS NAME		Q.TY				
PAINTING					COLOR		No.1 (BLACK)					Set(s)				Set(s)				
					MATERIAL		TAR EPOXY					Set(s)				Set(s)				
REMARKS																				
1. Except Details specified on this DATASHEET, all subject including test shall be performed in accordance with DOOCH's standard																				

PROJECT : 선정프로그램 SAMPLE 자료

MODEL : NDS-15B

PUMP

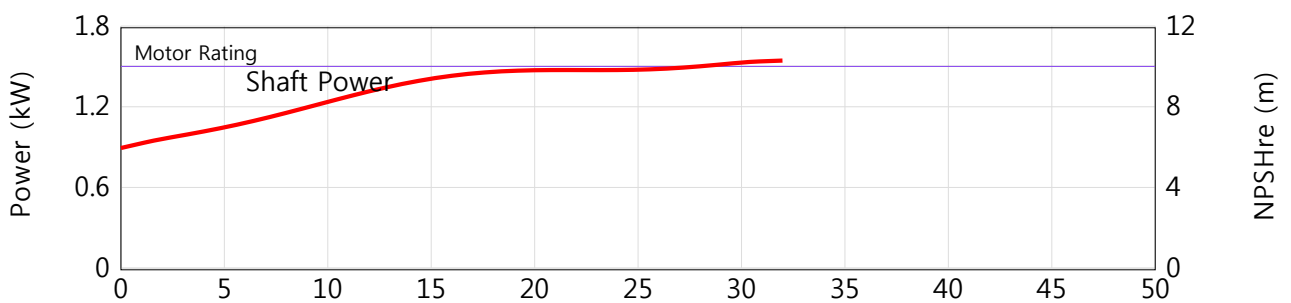
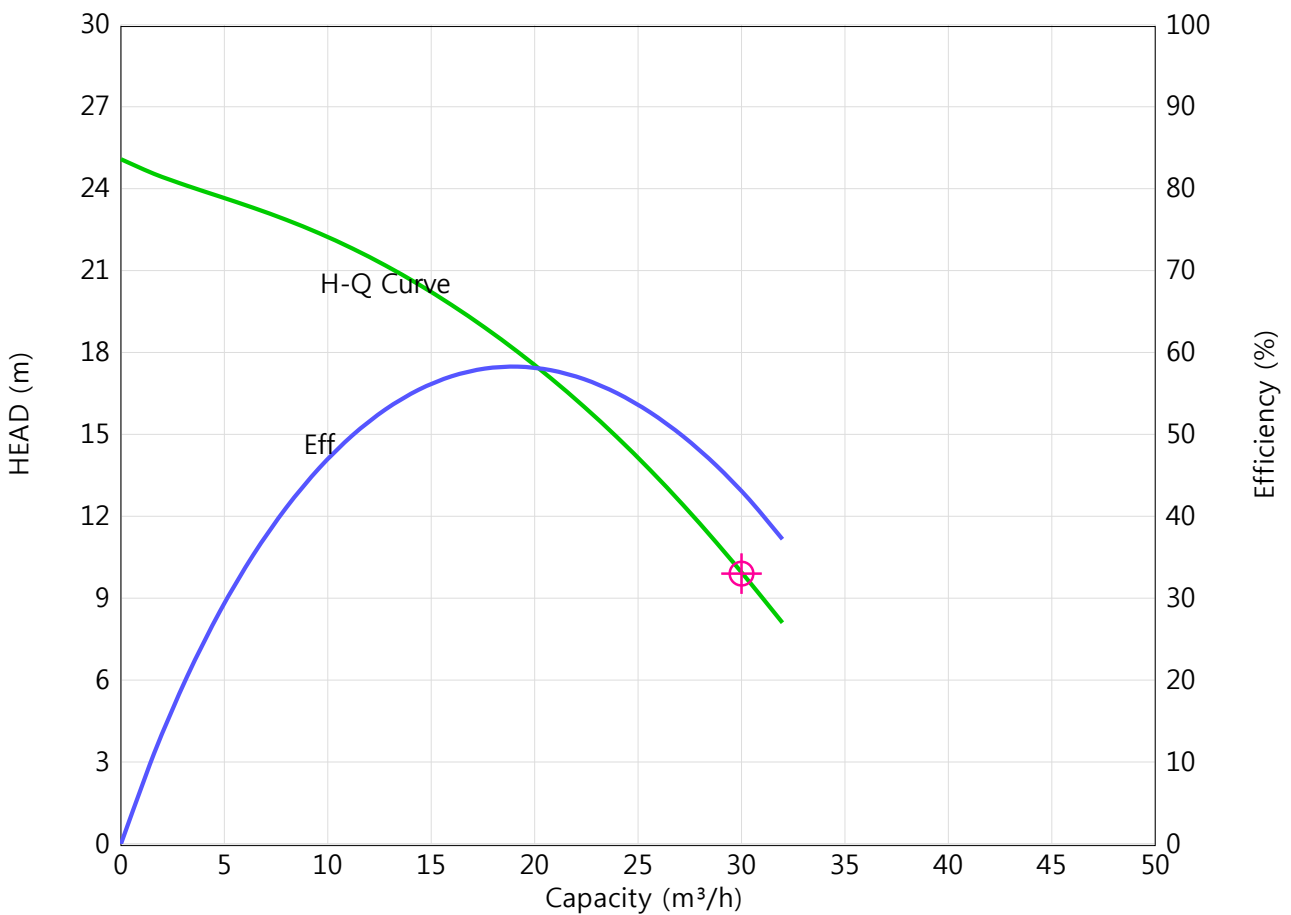
CAPACITY	30	m ³ /h
TOTAL HEAD	9.9	m
SUCTION		mm
DISCHARGE	50	mm
LIQUID	WATER	
MAKER	DOOCH	

MOTOR

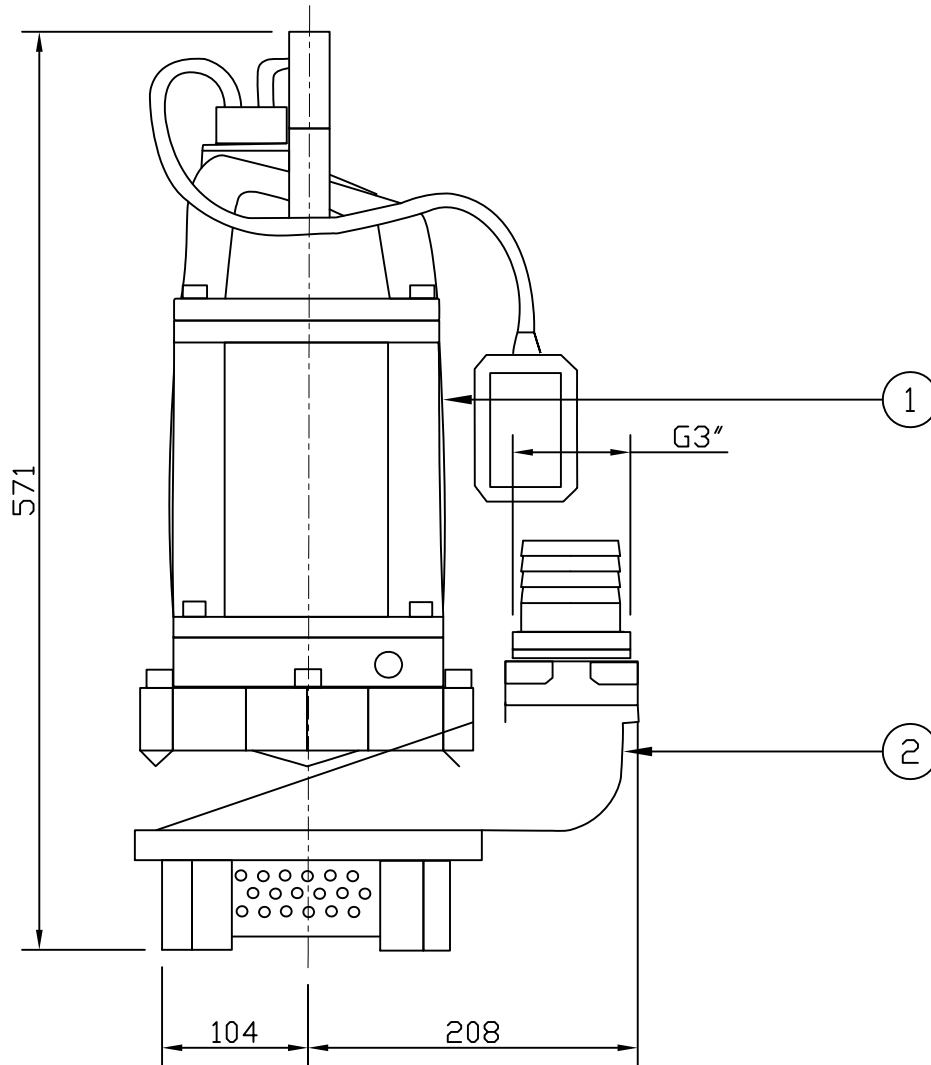
OUTPUT	1.5	kW
VOLTAGE	220/380 V	
FREQUENCY	60	Hz
SPEED	3600	rpm
TYPE	TEFC	
MAKER	dooch	

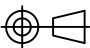

EFFICIENCY

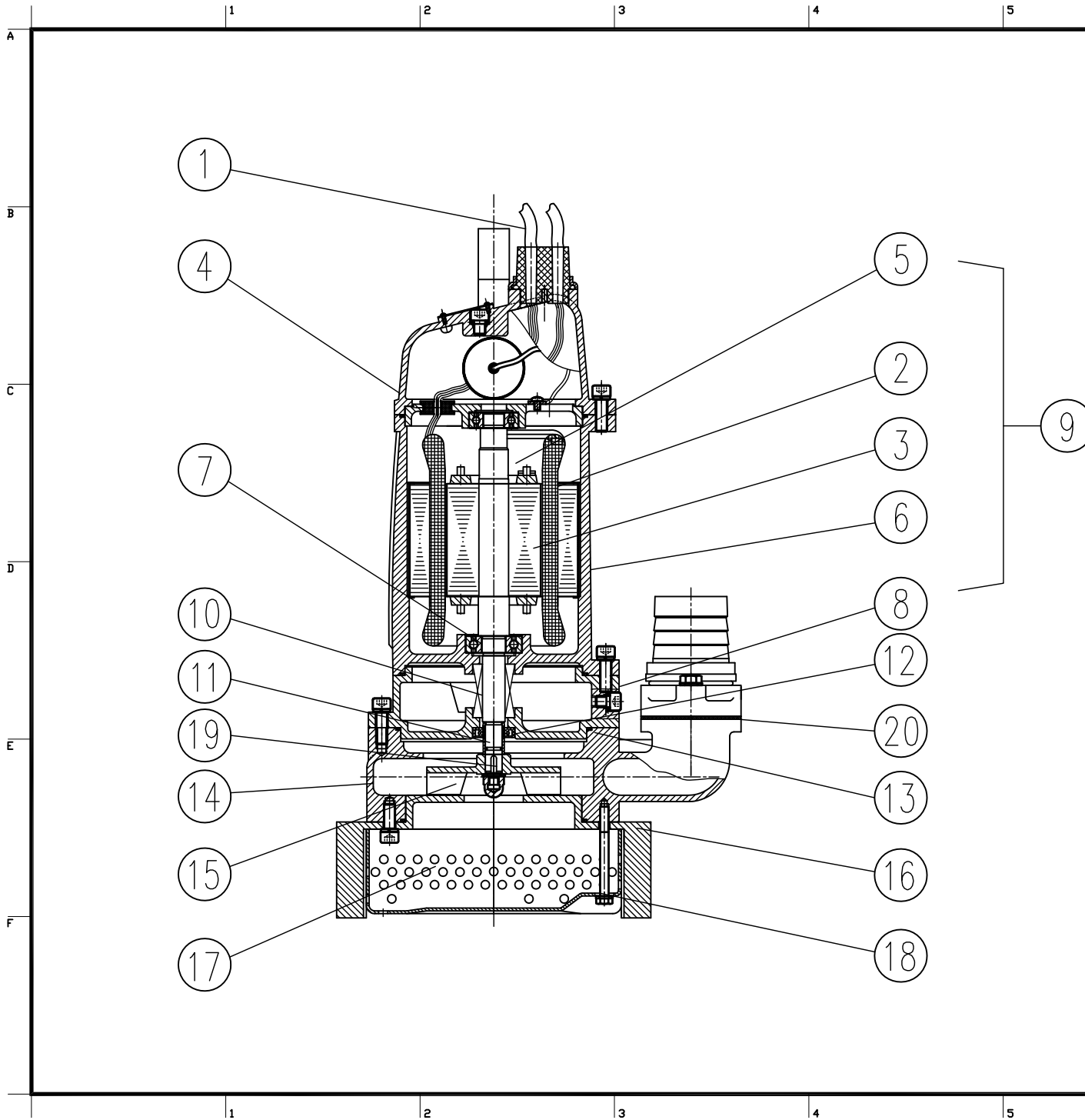
	EFF. (%)	CAPA. m ³ /h
A 효율	58.3	18.9
B 효율	43.1	30



- ▶ Performance curve of some models is subject to have 10% deviation.
- ▶ Subject to change without prior notice.



NO.	PART NAME	Q'ty	SPECIFICATION
1	MOTOR	1	1.5kW (2HP)
2	PUMP	1	NDS 15B-(M)(A)
SCALE	UNIT	MOTOR FRAME	
1:1	mm		
DRAWN	DESIGNED	CHECKED	APPROVED
Huh.T.J	Kim.J.S	Kim.J.S	Hur.M
REMARKS			
M: 입력전원 단상 A: 자동스위치 적용			
MODEL			
NDS 15B-(M)(A)			
DWG. NO.			
OD-NDS-1.5			
DISCRIPTION			
SUBMERSIBLE PUMP			
 DOOCH CO., LTD.			



ND.	PART NAME	Q'ty	MATERIAL	REMARKS
1	CABLE ASS'Y	-	IEC57	
2	STATOR ASS'Y	1	-	
3	ROTOR ASS'Y	1	-	
4	HEAD COVER	1	GC200	
5	UPPER BEARING	1	-	
6	FRAME	1	GC200	
7	LOWER BEARING	1	-	
8	END BRACKET	1	GC200	
9	MOTOR ASS'Y	1	-	
10	M/C SEAL	1	SIC	
11	SLEEVE	1	STS304	
12	OIL SEAL	1	NBR	
13	O-RING	1	NBR	
14	CASING	1	GC200	
15	IMPELLER	1	GC200	
16	SUCTION COVER	1	GC200	
17	STRAINER	1	Fe360A	
18	BOLT	3	STS201	
19	KEY	1	STS201	
20	FLANGE	1	GC200	
SCALE		UNIT	MOTOR FRAME	
1:1		mm		
DRAWN	DESIGNED	CHECKED	APPROVED	
Huh.T.J	Huh.T.J	Kim.J.S	Hur.M	
CUSTOMER				
MODEL				
NDS B SERIES				
DWG. NO.				
ST-NDS				
DISCRIPTION				
SUBMERSIBLE PUMP				
DOOCH CO., LTD.				



SUBMERSIBLE PUMP DATASHEET

					DOC. NO.							
					DATE issued							
					SPEC. OF PUMP		<input checked="" type="checkbox"/> FOR MFG. <input type="checkbox"/> ESTIMATED					
CUSTOMER					APP'D BY		CHK'D BY		MADE BY			
PROJECT NAME					0 ORIGINAL							
ITEM NO.		LOCATIONS		1								
PUMP MODEL		NDS-22B	QUANTITY		1	2						
PUMP TYPE					SUBMERSIBLE		DRIVER		MOTOR			
SUPPLIER			MFG.	DOOCH		QUANTITY		SETS				
OPERATING CONDITIONS					PERFORMANCE							
LIQUID		SEWAGE/WATER			SPEED		3550	rpm	EFF.	53.9	%	
CAPACITY		300	LPM	18	m ³ /Hr		NPSHre		m	SFT. POWER	2.05	kW
TOTAL HEAD		26.4	m	86.6		ft		MATERIALS				
PRESS.	SUC.		kgf/cm ²		PsiG		PART		KS CODE			
	DIS.		kgf/cm ²		PsiG		CASING		GC200			
	DIF.		kgf/cm ²		PsiG		IMPELLER		GC200			
	VAPOR.		kgf/cm ²		PsiG		SHAFT		STS410			
LIQUID TEMP.		NORMAL	°C	MAX	°C	BOLT & NUT		STS304				
NPSH Avail.			m			ft						
VISCOSITY			cP	S.GRAVITY		1	ELECTRIC MOTOR					
SOLID	SIZE		mm	CORR/EROSMAX		MFG.	DOOCH		ENCLOSURE	T.E		
	CONTENT		%	CAUSED BY		R.OUTPUT	2.2	kW	POLE	2	P	
CONSTRUCTIONS					SYNC.SPEED		3550	rpm	CYCLE	60	Hz	
CASING		MOUNT	SUBMERSIBLE	SPLIT			PHASE		3	Φ	INS.CLASS	B,IP68
CONNECT		BORE DIA.	RATING		POSITION	FACING	VOLTAGE		380	V	TEMP.RISE	
DISCHARGE		80	mm	10K	TOP	FF	ACCESSORIES					
NO. OF STAGE		1			CABTYRE CABLE		8			m		
INSTALLATION		<input checked="" type="checkbox"/> INDOOR <input type="checkbox"/> OUTDOOR <input type="checkbox"/> SUBMERSIBLE			LIFTING CHAIN & SHACLE		5			m		
BASE PLATE		<input type="checkbox"/> COMMON <input type="checkbox"/> SOLE <input type="checkbox"/> N/A			DISCHARGE ELBOW				<input checked="" type="checkbox"/> YES <input type="checkbox"/> NO			
IMPELLER		<input type="checkbox"/> CLOSE <input type="checkbox"/> OPEN <input type="checkbox"/> SEMI-OPEN			QUICK DIS.CONNECTOR				<input type="checkbox"/> YES <input checked="" type="checkbox"/> NO			
LUBRICANT		<input type="checkbox"/> GREASE <input checked="" type="checkbox"/> OIL <input type="checkbox"/> WATER(SELF)			GUIDE PIPE				<input type="checkbox"/> YES <input checked="" type="checkbox"/> NO			
COUPLING		<input type="checkbox"/> FLEXIBLE <input checked="" type="checkbox"/> RIGID <input type="checkbox"/> MUFF			LEVEL SWITCH				<input type="checkbox"/> YES <input checked="" type="checkbox"/> NO			
TRANS.		<input checked="" type="checkbox"/> DIRECT <input type="checkbox"/> V-BELT			COUNTER FLANGE				<input checked="" type="checkbox"/> YES <input type="checkbox"/> NO			
ROTATION VIEWED FROM DRIVER			<input type="checkbox"/> C.W (ClockWise)		WEIGHT (APPROX.)							
			<input type="checkbox"/> C.C.W (Counter ClockWise)		PUMP				kg			
BEARING		DRIVEN		END		OPTIONS				kg		
						TOTAL WEIGHT				kg		
SHAFT SEAL		TYPE	DOUBLE MECHANICAL SEAL			SPARE PARTS						
		MATERIAL				PARTS NAME		Q.TY	PARTS NAME		Q.TY	
PAINTING		COLOR	WINE COLOR					Set(s)			Set(s)	
		MATERIAL	TAR EPOXY					Set(s)			Set(s)	
REMARKS												
1. Except Details specified on this DATASHEET, all subject including test shall be performed in accordance with DOOCH's standard												

PROJECT : 선정프로그램 SAMPLE 자료

MODEL : NDS-22B

PUMP

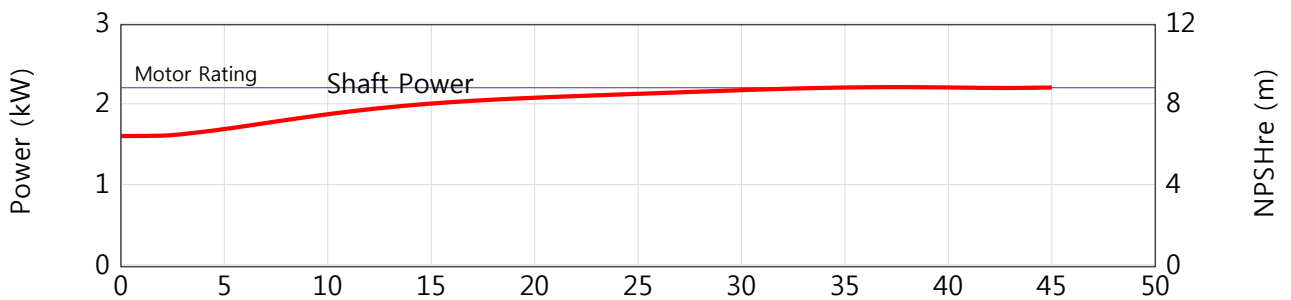
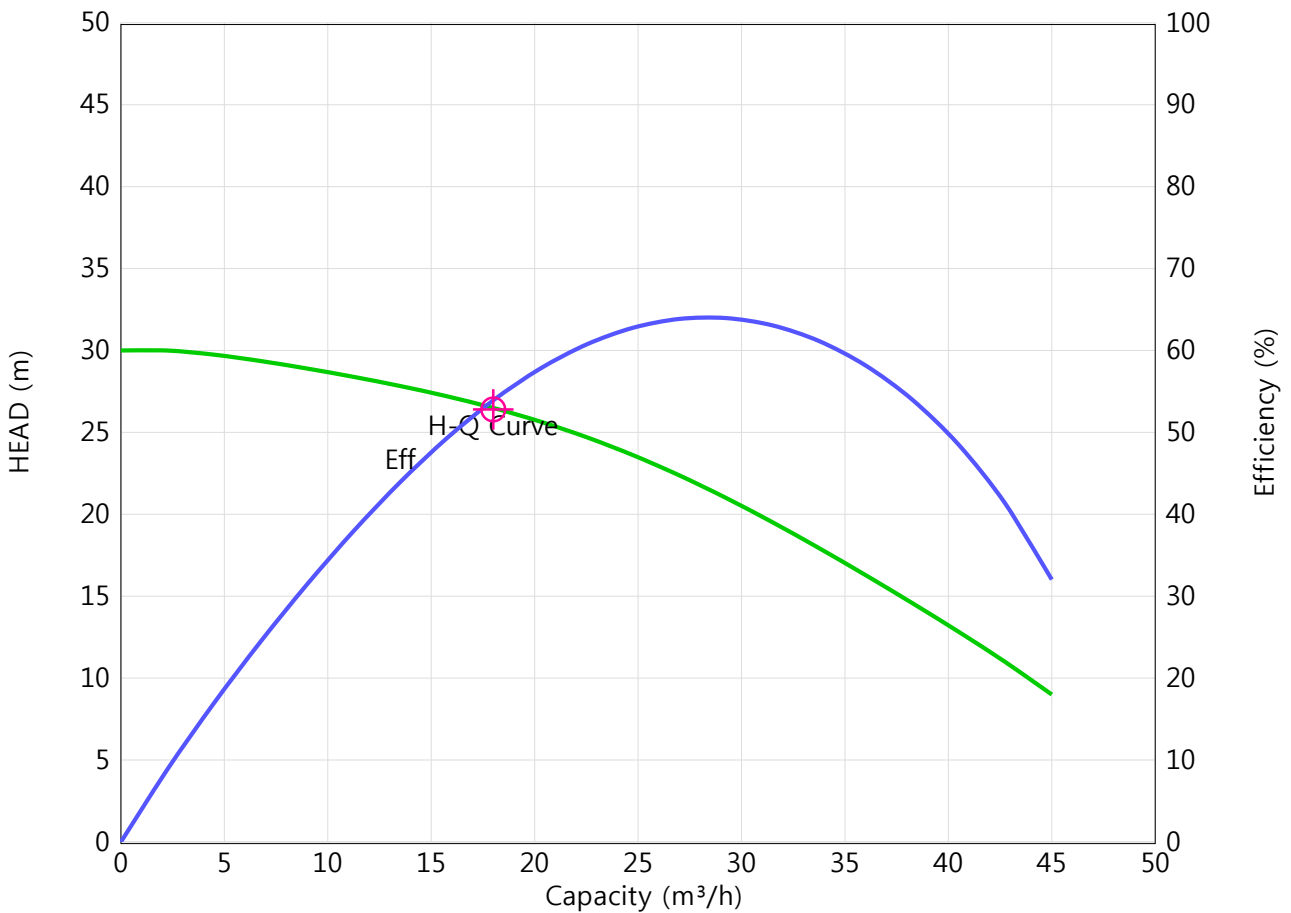
CAPACITY	18	m ³ /h
TOTAL HEAD	26.4	m
SUCTION		mm
DISCHARGE	80	mm
LIQUID	WATER	
MAKER	DOOCH	

MOTOR

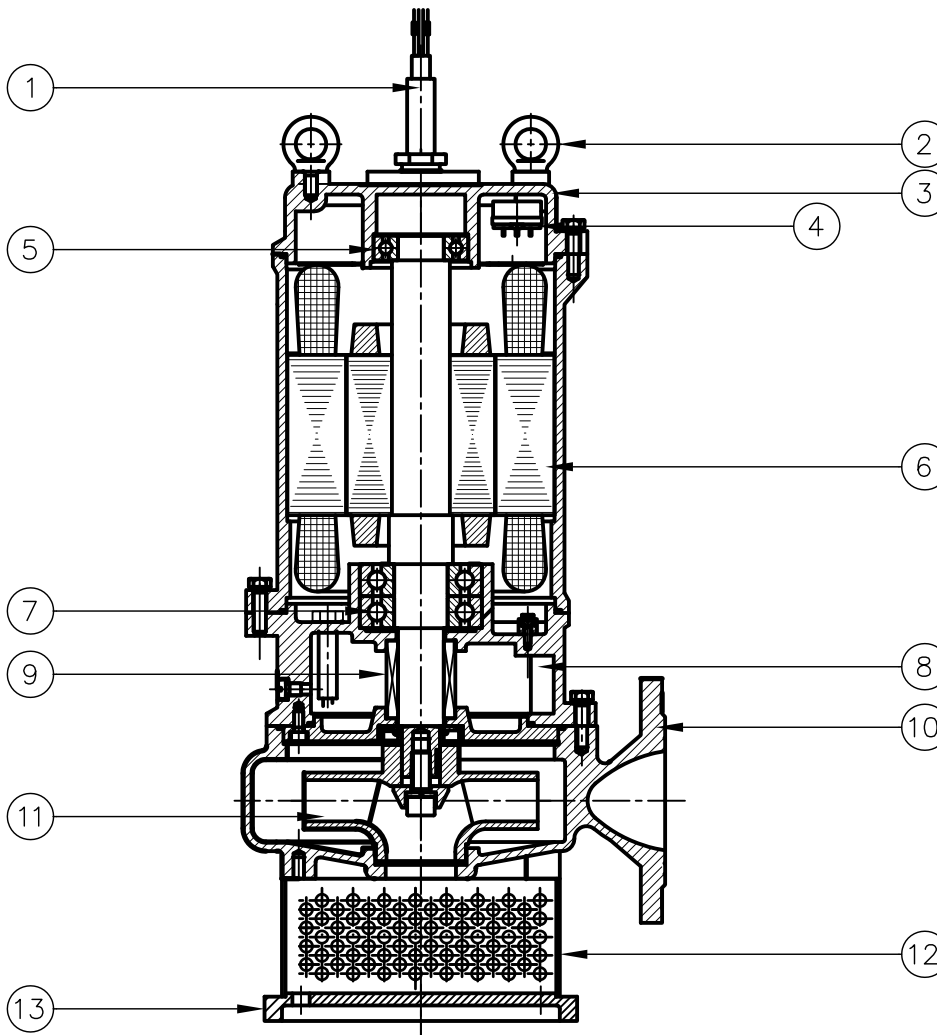
OUTPUT	2.2	kW
VOLTAGE	380	V
FREQUENCY	60	Hz
SPEED	3550	rpm
TYPE	TEFC	
MAKER	DOOCH	

EFFICIENCY

	EFF. (%)	CAPA. m ³ /h
A 효율	64	28.4
B 효율	53.9	18



- ▶ Performance curve of some models is subject to have 10% deviation.
- ▶ Subject to change without prior notice.



NO.	PART NAME	Q'ty	MATERIAL	REMARKS
1	CABLE AND SEAL			
2	RINGS			
3	CASING COVER			
4	HEAT PROTECTOR			
5	BEARING			
6	MOTOR			
7	BEARING			
8	OIL CAVITY			
9	MECHANICAL SEAL			
10	VOLUTE			
11	IMPELLER			
12	STRAINER			
13	BASE PLATE			
14				
15				

REMARK

SCALE	UNIT	MOTOR FRAME	
1:1	mm		
DRAWN	DESIGNED	CHECKED	APPROVED
Huh.T.J	Huh.T.J	Kim.J.S	Hur.M

CUSTOMER

MODEL

NDS B SERIES(NEW)

DWG. NO.

ST-NDS-NEW

DISCRIPTION

SUBMERSIBLE PUMP

dooch DOOCH CO., LTD.



SUBMERSIBLE PUMP DATASHEET

					DOC. NO.							
					DATE issued							
					SPEC. OF PUMP		<input checked="" type="checkbox"/> FOR MFG. <input type="checkbox"/> ESTIMATED					
CUSTOMER					APP'D BY		CHK'D BY		MADE BY			
PROJECT NAME					0 ORIGINAL							
ITEM NO.					1							
PUMP MODEL					2							
PUMP TYPE					DRIVER		MOTOR					
SUPPLIER					QUANTITY		SETS					
OPERATING CONDITIONS					PERFORMANCE							
LIQUID					SPEED		EFF.					
CAPACITY					NPSHre		SFT. POWER					
TOTAL HEAD					MATERIALS							
PRESS.					PART		KS CODE					
					CASING		GC200					
					IMPELLER		GC200					
					SHAFT		STS410					
LIQUID TEMP.					BOLT & NUT		STS304					
NPSH Avail.												
VISCOSITY					ELECTRIC MOTOR							
SOLID					MFG.		ENCLOSURE		T.E			
					R.OUTPUT		POLE					
CONSTRUCTIONS					SYNC.SPEED		CYCLE					
CASING					PHASE		INS.CLASS					
CONNECT					VOLTAGE		TEMP.RISE					
DISCHARGE					ACCESSORIES							
NO. OF STAGE					CABTYRE CABLE							
INSTALLATION					LIFTING CHAIN & SHACLE							
BASE PLATE					DISCHARGE ELBOW							
IMPELLER					QUICK DIS.CONNECTOR							
LUBRICANT					GUIDE PIPE							
COUPLING					LEVEL SWITCH							
TRANS.					COUNTER FLANGE							
ROTATION VIEWED FROM DRIVER					WEIGHT (APPROX.)							
BEARING					PUMP							
					OPTIONS							
					TOTAL WEIGHT							
SHAFT SEAL					SPARE PARTS							
PAINTING					PARTS NAME		Q.TY		PARTS NAME		Q.TY	
					Set(s)				Set(s)			
REMARKS												
1. Except Details specified on this DATASHEET,												
all subject including test shall be performed in accordance with DOOCH's standard												

PROJECT : 선정프로그램 SAMPLE 자료

MODEL : NDS-37B

PUMP

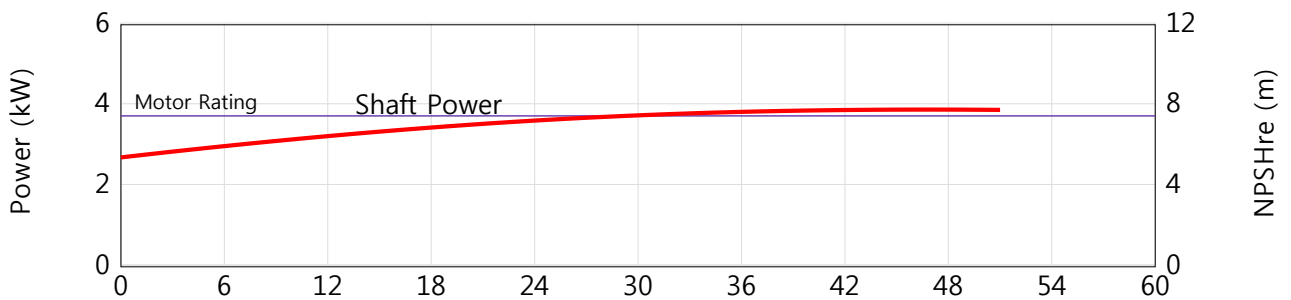
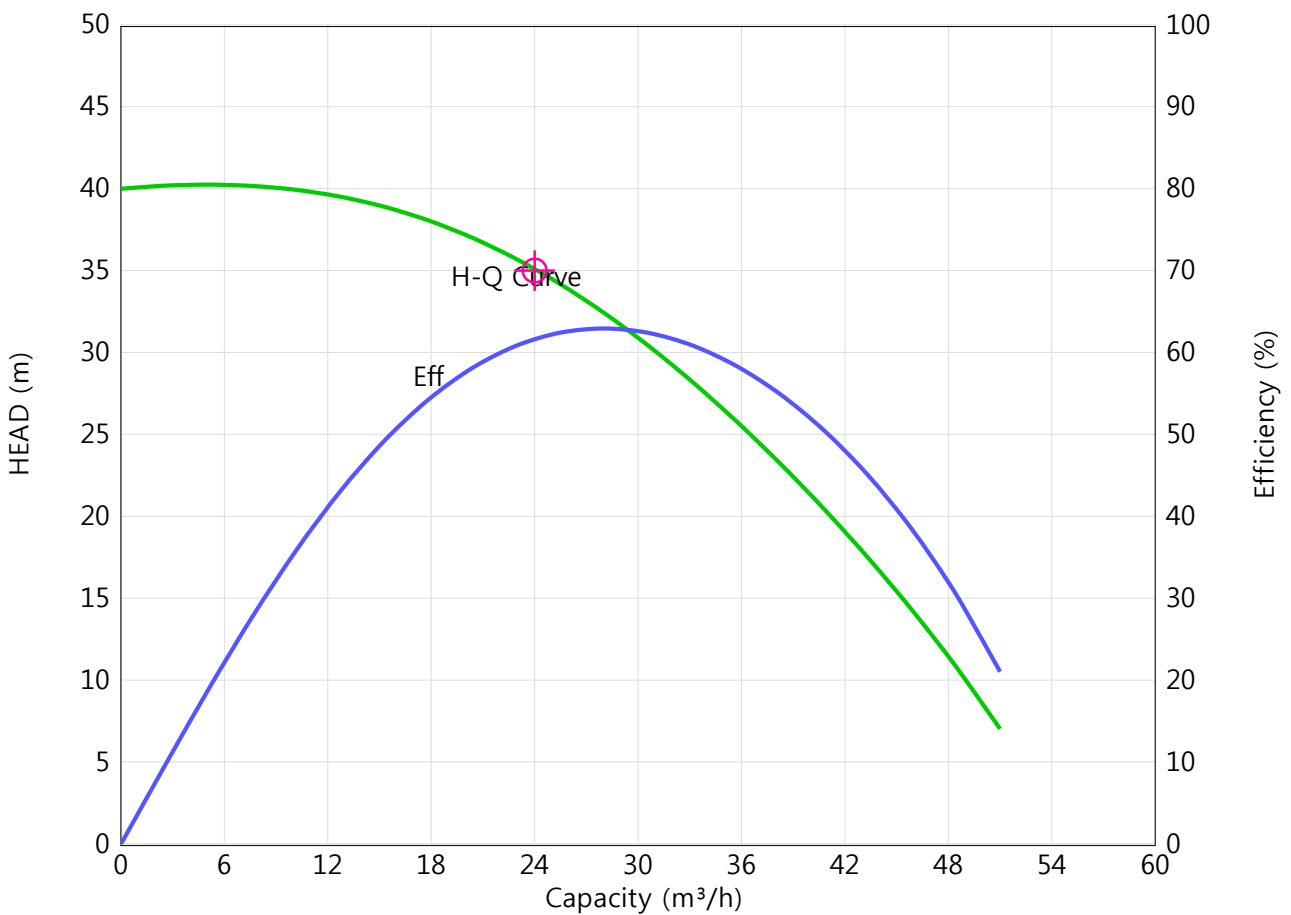
CAPACITY	24	m ³ /h
TOTAL HEAD	35	m
SUCTION		mm
DISCHARGE	80	mm
LIQUID	WATER	
MAKER	DOOCH	

MOTOR

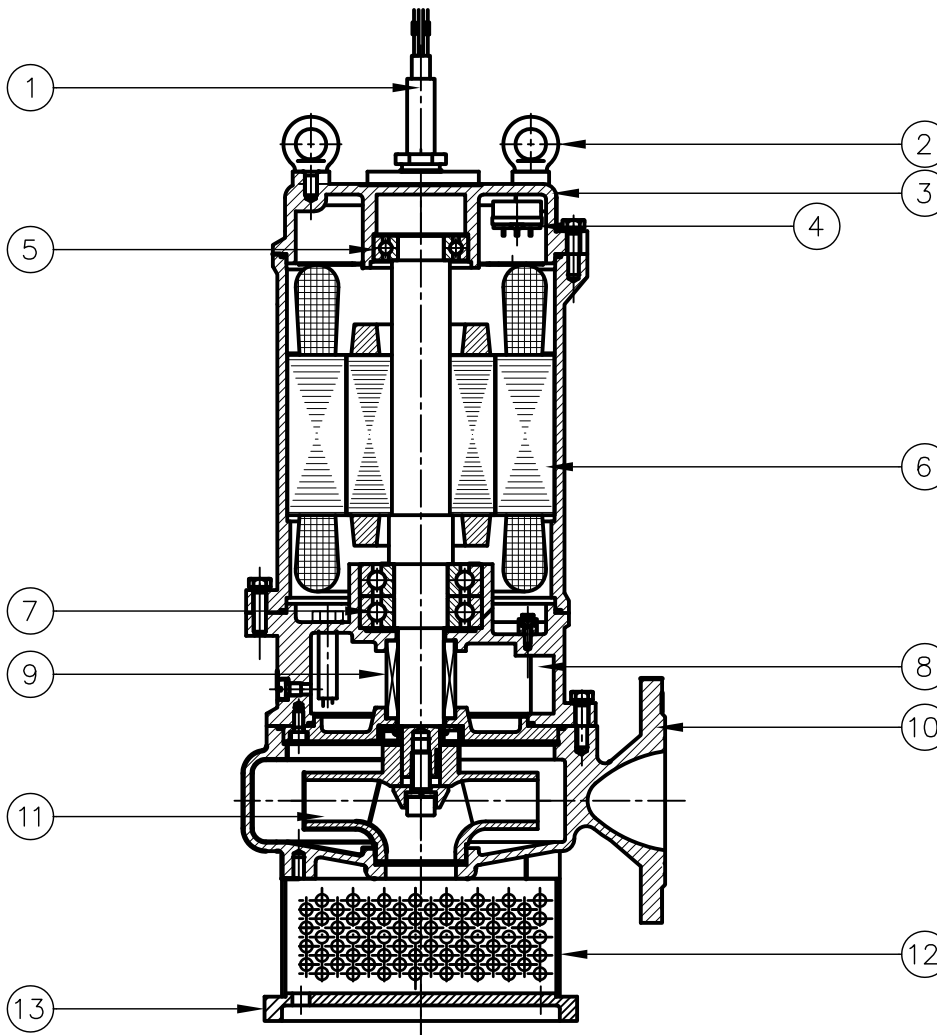
OUTPUT	3.7	kW
VOLTAGE	380	V
FREQUENCY	60	Hz
SPEED	3550	rpm
TYPE	TEFC	
MAKER	DOOCH	

EFFICIENCY

	EFF. (%)	CAPA. m ³ /h
A 효율	62.9	28
B 효율	61.6	24



- ▶ Performance curve of some models is subject to have 10% deviation.
- ▶ Subject to change without prior notice.



NO.	PART NAME	Q'ty	MATERIAL	REMARKS
1	CABLE AND SEAL			
2	RINGS			
3	CASING COVER			
4	HEAT PROTECTOR			
5	BEARING			
6	MOTOR			
7	BEARING			
8	OIL CAVITY			
9	MECHANICAL SEAL			
10	VOLUTE			
11	IMPELLER			
12	STRAINER			
13	BASE PLATE			
14				
15				

REMARK

SCALE	UNIT	MOTOR FRAME	
1:1	mm		
DRAWN	DESIGNED	CHECKED	APPROVED
Huh.T.J	Huh.T.J	Kim.J.S	Hur.M

CUSTOMER

MODEL

NDS B SERIES(NEW)

DWG. NO.

ST-NDS-NEW

DISCRPTION

SUBMERSIBLE PUMP

dooch DOOCH CO., LTD.



SUBMERSIBLE PUMP DATASHEET

					DOC. NO.							
					DATE issued							
					SPEC. OF PUMP		<input checked="" type="checkbox"/> FOR MFG. <input type="checkbox"/> ESTIMATED					
CUSTOMER					APP'D BY		CHK'D BY		MADE BY			
PROJECT NAME					0 ORIGINAL							
ITEM NO.		LOCATIONS		1								
PUMP MODEL		QUANTITY		1		2						
PUMP TYPE					DRIVER		MOTOR					
SUPPLIER		MFG.		DOOCH			QUANTITY		SETS			
OPERATING CONDITIONS					PERFORMANCE							
LIQUID		SEWAGE/WATER			SPEED		3550	rpm	EFF.	62.5	%	
CAPACITY		500	LPM	30	m ³ /Hr		NPSHre		m	SFT. POWER	5.09	kW
TOTAL HEAD		38.2	m	125.3	ft		MATERIALS					
PRESS.		SUC.		kgf/cm ²		PsiG		PART		KS CODE		
		DIS.		kgf/cm ²		PsiG		CASING		GC200		
		DIF.		kgf/cm ²		PsiG		IMPELLER		GC200		
		VAPOR.		kgf/cm ²		PsiG		SHAFT		STS410		
LIQUID TEMP.		NORMAL	°C	MAX	°C	BOLT & NUT		STS304				
NPSH Avail.		m		ft								
VISCOSITY		cP		S.GRAVITY		1		ELECTRIC MOTOR				
SOLID		SIZE	mm	CORR/EROSMAX		MFG.		DOOCH		ENCLOSURE	T.E	
		CONTENT	%	CAUSED BY		R.OUTPUT		5.5	kW	POLE	2	P
CONSTRUCTIONS					SYNC.SPEED		3550	rpm	CYCLE	60	Hz	
CASING		MOUNT	SUBMERSIBLE		SPLIT	PHASE		3	Φ	INS.CLASS	B,IP68	
CONNECT		BORE DIA.	RATING		POSITION	FACING	VOLTAGE		380	V	TEMP.RISE	
DISCHARGE		80	mm	10K		TOP	FF	ACCESSORIES				
NO. OF STAGE		1		CABTYRE CABLE		8		m				
INSTALLATION		<input checked="" type="checkbox"/> INDOOR <input type="checkbox"/> OUTDOOR <input type="checkbox"/> SUBMERSIBLE		LIFTING CHAIN & SHACLE		5		m				
BASE PLATE		<input type="checkbox"/> COMMON <input type="checkbox"/> SOLE <input type="checkbox"/> N/A		DISCHARGE ELBOW		<input checked="" type="checkbox"/> YES <input type="checkbox"/> NO						
IMPELLER		<input type="checkbox"/> CLOSE <input type="checkbox"/> OPEN <input type="checkbox"/> SEMI-OPEN		QUICK DIS.CONNECTOR		<input type="checkbox"/> YES <input checked="" type="checkbox"/> NO						
LUBRICANT		<input type="checkbox"/> GREASE <input checked="" type="checkbox"/> OIL <input type="checkbox"/> WATER(SELF)		GUIDE PIPE		<input type="checkbox"/> YES <input checked="" type="checkbox"/> NO						
COUPLING		<input type="checkbox"/> FLEXIBLE <input checked="" type="checkbox"/> RIGID <input type="checkbox"/> MUFF		LEVEL SWITCH		<input type="checkbox"/> YES <input checked="" type="checkbox"/> NO						
TRANS.		<input checked="" type="checkbox"/> DIRECT <input type="checkbox"/> V-BELT		COUNTER FLANGE		<input checked="" type="checkbox"/> YES <input type="checkbox"/> NO						
ROTATION VIEWED FROM DRIVER			<input type="checkbox"/> C.W (ClockWise) <input type="checkbox"/> C.C.W (Counter ClockWise)		WEIGHT (APPROX.)							
BEARING		DRIVEN		END		PUMP				kg		
						OPTIONS				kg		
						TOTAL WEIGHT				kg		
SHAFT SEAL		TYPE	DOUBLE MECHANICAL SEAL			SPARE PARTS						
		MATERIAL			PARTS NAME		Q.TY	PARTS NAME		Q.TY		
PAINTING		COLOR	WINE COLOR					Set(s)			Set(s)	
		MATERIAL	TAR EPOXY					Set(s)			Set(s)	
REMARKS												
1. Except Details specified on this DATASHEET, all subject including test shall be performed in accordance with DOOCH's standard												

PROJECT : 선정프로그램 SAMPLE 자료

MODEL : NDS-55B

PUMP

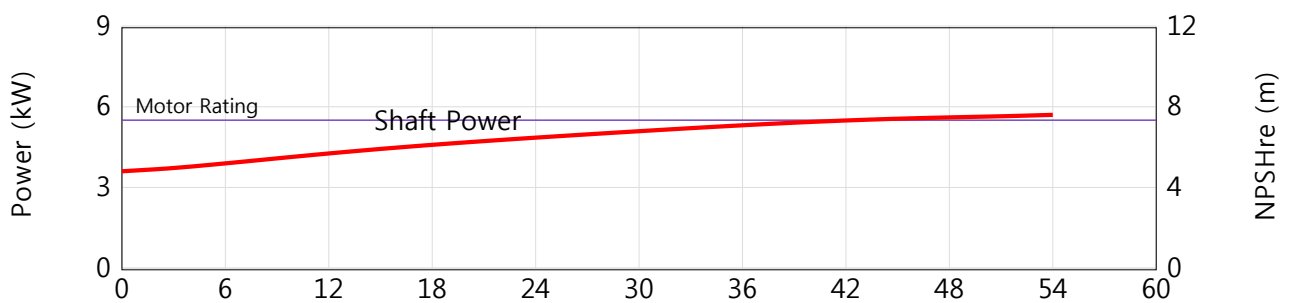
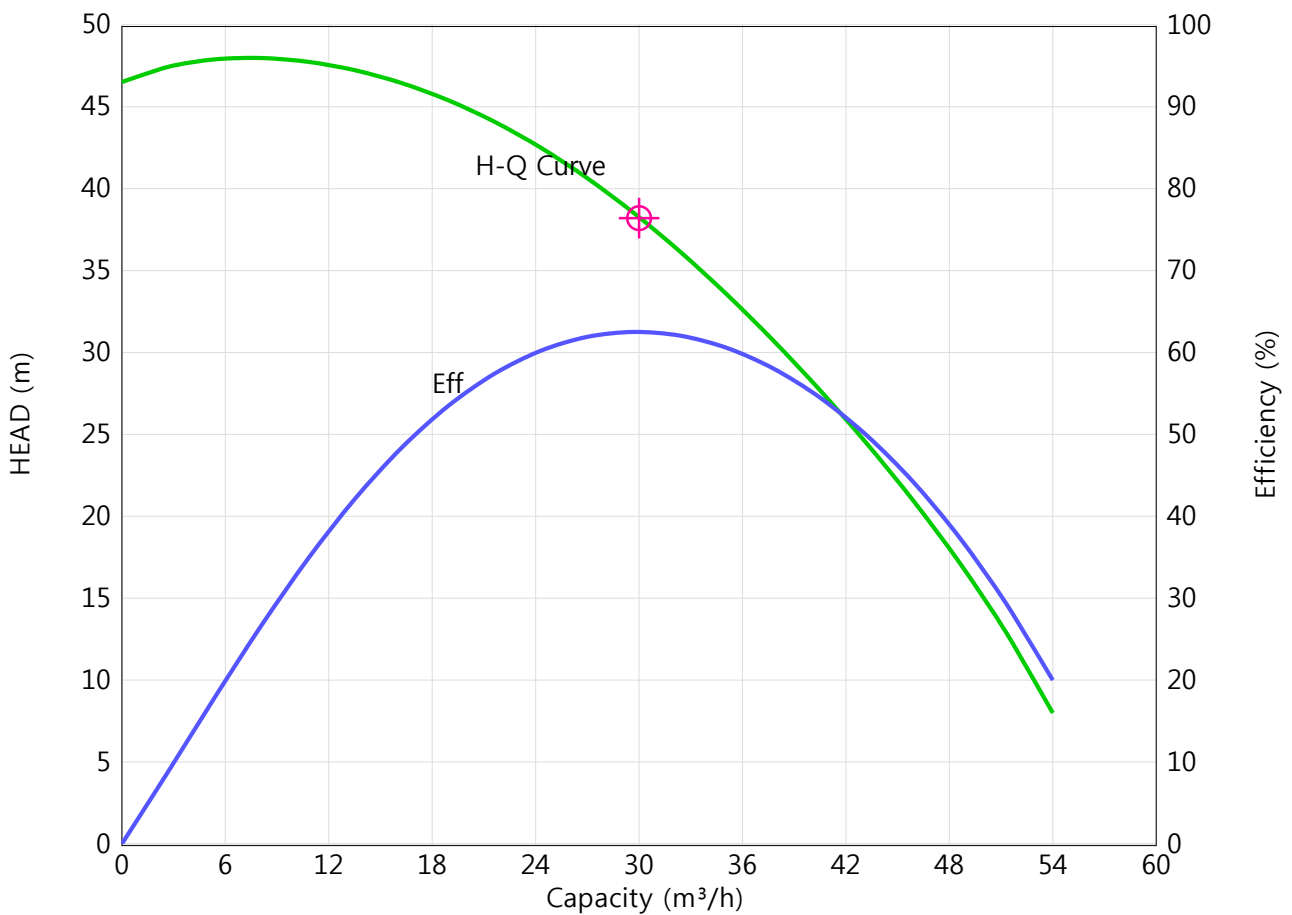
CAPACITY	30	m ³ /h
TOTAL HEAD	38.2	m
SUCTION		mm
DISCHARGE	80	mm
LIQUID	WATER	
MAKER	DOOCH	

MOTOR

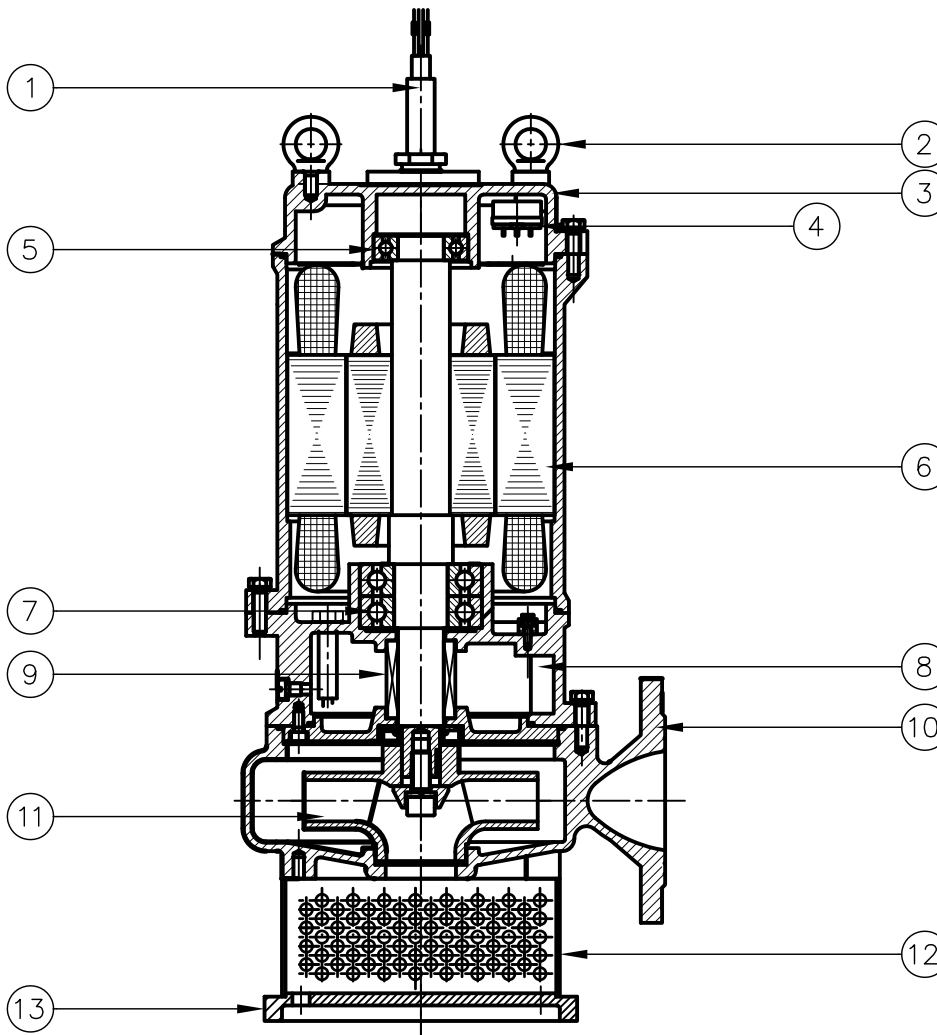
OUTPUT	5.5	kW
VOLTAGE	380	V
FREQUENCY	60	Hz
SPEED	3550	rpm
TYPE	TEFC	
MAKER	DOOCH	

EFFICIENCY

	EFF. (%)	CAPA. m ³ /h
A 효율	62.5	29.9
B 효율	62.5	30



- ▶ Performance curve of some models is subject to have 10% deviation.
- ▶ Subject to change without prior notice.



NO.	PART NAME	Q'ty	MATERIAL	REMARKS
1	CABLE AND SEAL			
2	RINGS			
3	CASING COVER			
4	HEAT PROTECTOR			
5	BEARING			
6	MOTOR			
7	BEARING			
8	OIL CAVITY			
9	MECHANICAL SEAL			
10	VOLUTE			
11	IMPELLER			
12	STRAINER			
13	BASE PLATE			
14				
15				

REMARK

SCALE	UNIT	MOTOR FRAME	
1:1	mm		
DRAWN	DESIGNED	CHECKED	APPROVED
Huh.T.J	Huh.T.J	Kim.J.S	Hur.M

CUSTOMER

MODEL

NDS B SERIES(NEW)

DWG. NO.

ST-NDS-NEW

DISCRPTION

SUBMERSIBLE PUMP

dooch DOOCH CO., LTD.



SUBMERSIBLE PUMP DATASHEET

					DOC. NO.						
					DATE issued						
					SPEC. OF PUMP		<input checked="" type="checkbox"/> FOR MFG. <input type="checkbox"/> ESTIMATED				
CUSTOMER					APP'D BY		CHK'D BY		MADE BY		
PROJECT NAME					0 ORIGINAL						
ITEM NO.		LOCATIONS		1							
PUMP MODEL		QUANTITY		1	2						
PUMP TYPE					DRIVER		MOTOR				
SUPPLIER		MFG.		DOOCH			QUANTITY		SETS		
OPERATING CONDITIONS					PERFORMANCE						
LIQUID		SEWAGE/WATER			SPEED		3550	rpm	EFF.	59.5	%
CAPACITY		680	LPM	40.8	m ³ /Hr	NPSHre		m	SFT. POWER	6.8	kW
TOTAL HEAD		40	m	131.2	ft	MATERIALS					
PRESS.		SUC.	kgf/cm ²		PsiG	PART		KS CODE			
		DIS.	kgf/cm ²		PsiG	CASING		GC200			
		DIF.	kgf/cm ²		PsiG	IMPELLER		GC200			
		VAPOR.	kgf/cm ²		PsiG	SHAFT		STS410			
LIQUID TEMP.		NORMAL	°C	MAX	°C	BOLT & NUT		STS304			
NPSH Avail.			m		ft						
VISCOSITY			cP	S.GRAVITY	2	ELECTRIC MOTOR					
SOLID		SIZE	mm	CORR/EROSMAX		MFG.	DOOCH	ENCLOSURE	T.E		
		CONTENT	%	CAUSED BY		R.OUTPUT	7.5	kW	POLE	2	P
CONSTRUCTIONS					SYNC.SPEED		3550	rpm	CYCLE	60	Hz
CASING		MOUNT	SUBMERSIBLE	SPLIT		PHASE		3	Φ	INS.CLASS	B,IP68
CONNECT		BORE DIA.	RATING	POSITION	FACING	VOLTAGE		380	V	TEMP.RISE	
DISCHARGE		100	mm	10K	TOP	FF	ACCESSORIES				
NO. OF STAGE		1				CABTYRE CABLE		8			m
INSTALLATION		<input checked="" type="checkbox"/> INDOOR <input type="checkbox"/> OUTDOOR <input type="checkbox"/> SUBMERSIBLE				LIFTING CHAIN & SHACLE		5			m
BASE PLATE		<input type="checkbox"/> COMMON <input type="checkbox"/> SOLE <input type="checkbox"/> N/A				DISCHARGE ELBOW		<input checked="" type="checkbox"/> YES <input type="checkbox"/> NO			
IMPELLER		<input type="checkbox"/> CLOSE <input type="checkbox"/> OPEN <input type="checkbox"/> SEMI-OPEN				QUICK DIS.CONNECTOR		<input type="checkbox"/> YES <input checked="" type="checkbox"/> NO			
LUBRICANT		<input type="checkbox"/> GREASE <input checked="" type="checkbox"/> OIL <input type="checkbox"/> WATER(SELF)				GUIDE PIPE		<input type="checkbox"/> YES <input checked="" type="checkbox"/> NO			
COUPLING		<input type="checkbox"/> FLEXIBLE <input checked="" type="checkbox"/> RIGID <input type="checkbox"/> MUFF				LEVEL SWITCH		<input type="checkbox"/> YES <input checked="" type="checkbox"/> NO			
TRANS.		<input checked="" type="checkbox"/> DIRECT <input type="checkbox"/> V-BELT				COUNTER FLANGE		<input checked="" type="checkbox"/> YES <input type="checkbox"/> NO			
ROTATION VIEWED FROM DRIVER		<input type="checkbox"/> C.W (ClockWise)				WEIGHT (APPROX.)					
		<input type="checkbox"/> C.C.W (Counter ClockWise)				PUMP					kg
BEARING		DRIVEN		END		OPTIONS					kg
						TOTAL WEIGHT					kg
SHAFT SEAL		TYPE	DOUBLE MECHANICAL SEAL			SPARE PARTS					
		MATERIAL				PARTS NAME		Q.TY	PARTS NAME	Q.TY	
PAINTING		COLOR	WINE COLOR					Set(s)			Set(s)
		MATERIAL	TAR EPOXY					Set(s)			Set(s)
REMARKS											
1. Except Details specified on this DATASHEET, all subject including test shall be performed in accordance with DOOCH's standard											

PROJECT : 선정프로그램 SAMPLE 자료

MODEL : NDS-75B

PUMP

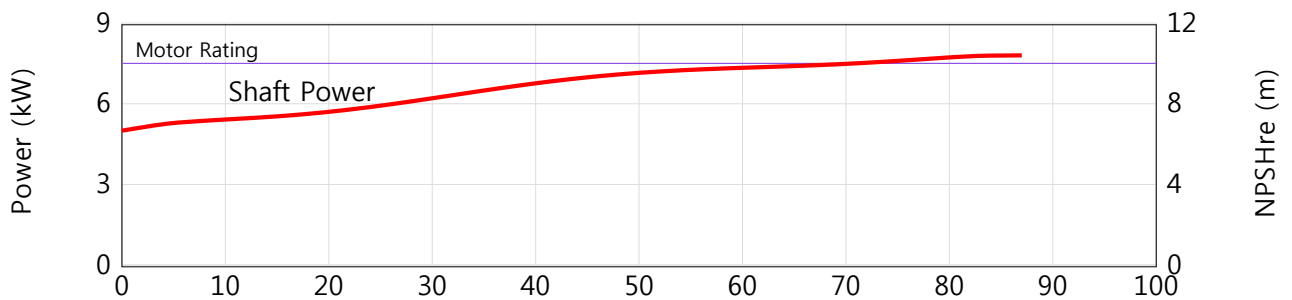
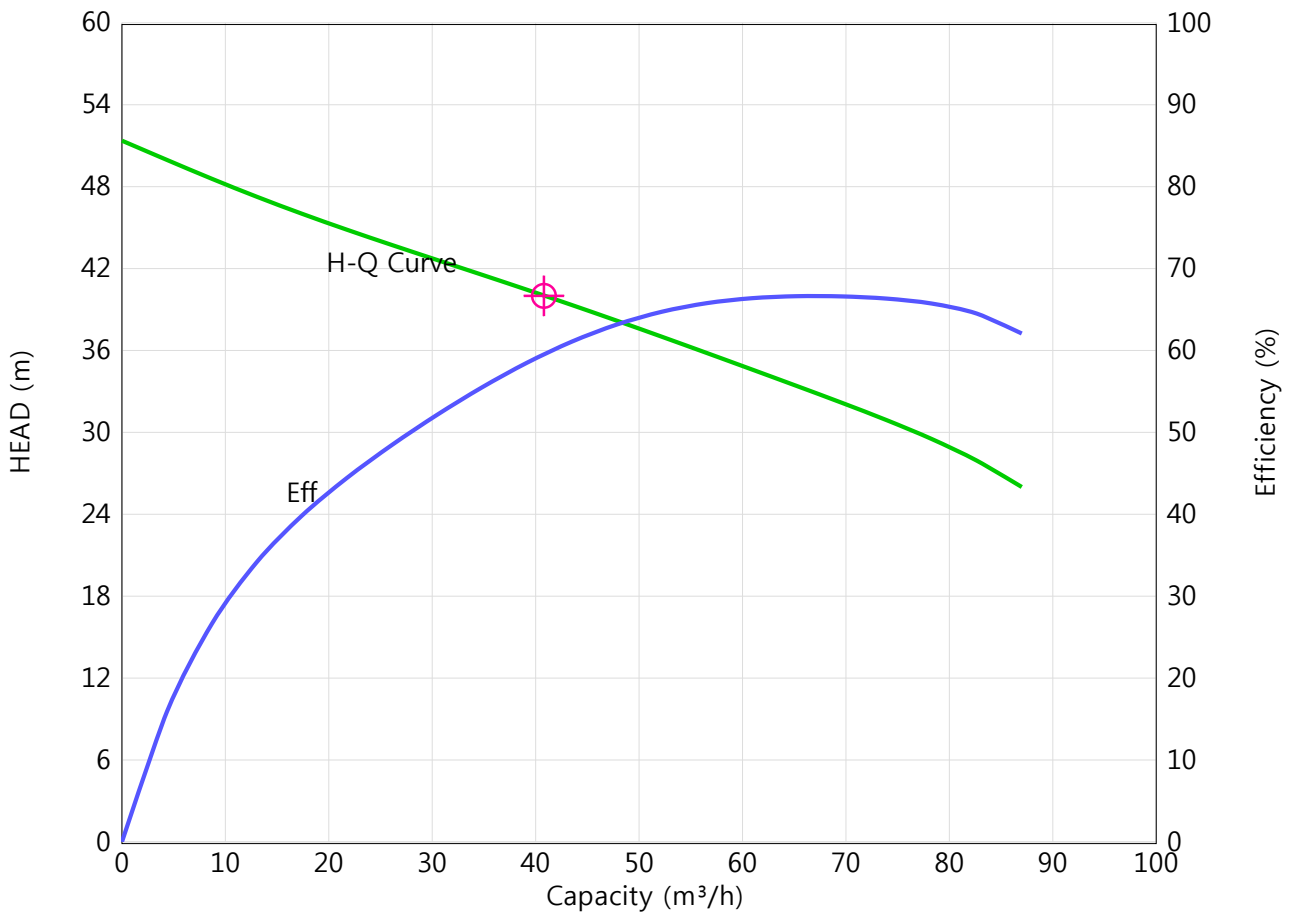
CAPACITY	40.8	m ³ /h
TOTAL HEAD	40	m
SUCTION		mm
DISCHARGE	100	mm
LIQUID	WATER	
MAKER	DOOCH	

MOTOR

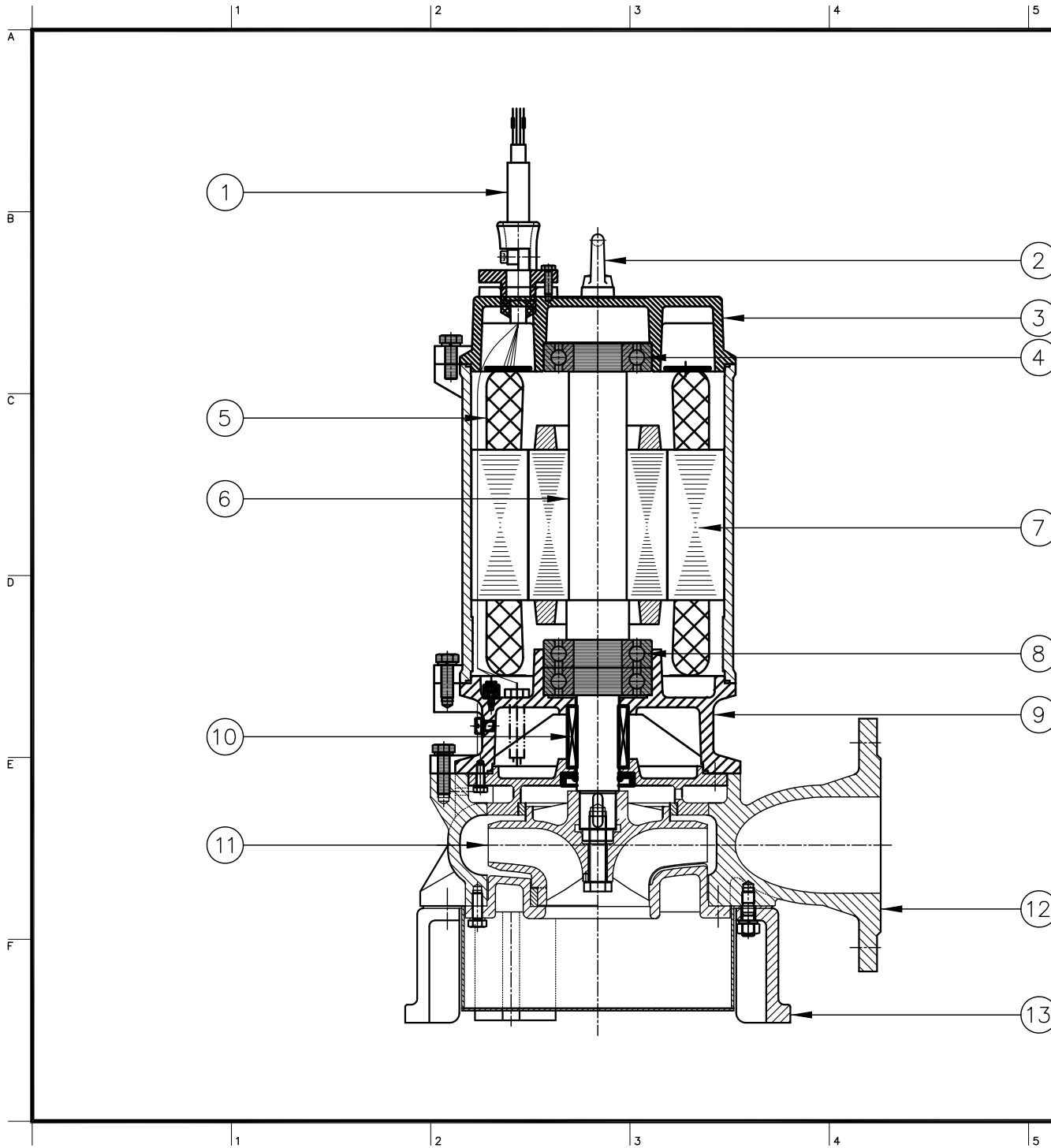
OUTPUT	7.5	kW
VOLTAGE	380	V
FREQUENCY	60	Hz
SPEED	3550	rpm
TYPE	TEFC	
MAKER	DOOCH	

EFFICIENCY

	EFF. (%)	CAPA. m ³ /h
A 효율	66.6	66.9
B 효율	59.5	40.8



- ▶ Performance curve of some models is subject to have 10% deviation.
- ▶ Subject to change without prior notice.



NO.	PART NAME	Q'ty	MATERIAL	REMARKS
1	CABLE AND SEAL		RUBBER	
2	RINGS		탄소강 #45	
3	CASING COVER		주철 GC200	
4	BEARING			
5	HEAT PROTECTOR			
6	SHAFT		2Cr13	
7	MOTOR			
8	BEARING			
9	OIL CAVITY		주철 GC200	
10	MECHANICAL SEAL			
11	IMPELLER		주철 GC200	
12	VOLUTE		주철 GC200	
13	BASE PLATE		주철 GC200	
14				
15				

REMARK

SCALE	UNIT	DATE	
1:1	mm	'18.03.12	
DRAWN	DESIGNED	CHECKED	APPROVED
Huh.T.J	Huh.T.J	Kim.J.S	Park.S.J

CUSTOMER

MODEL

NDS 75B

DWG. NO.

ST-NDS-7.5

DISCRPTION

SUBMERSIBLE PUMP

dooch DOOCH CO., LTD.